

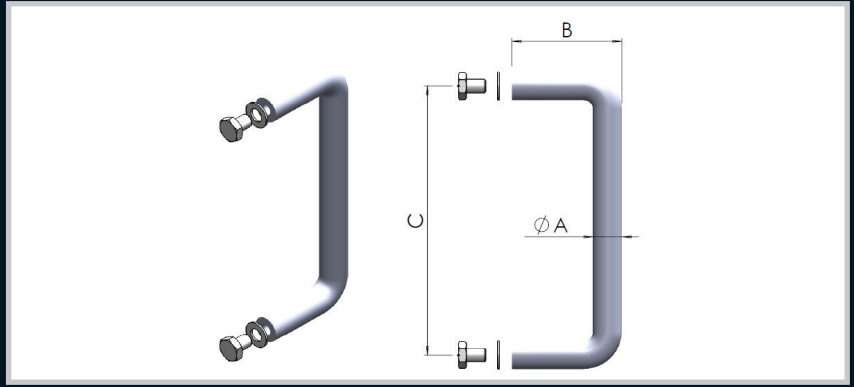


4

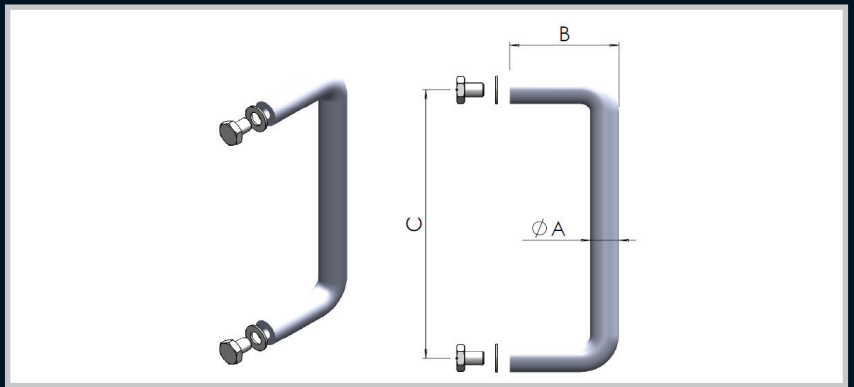
HANDLES

CATALOGUE EDITION 5

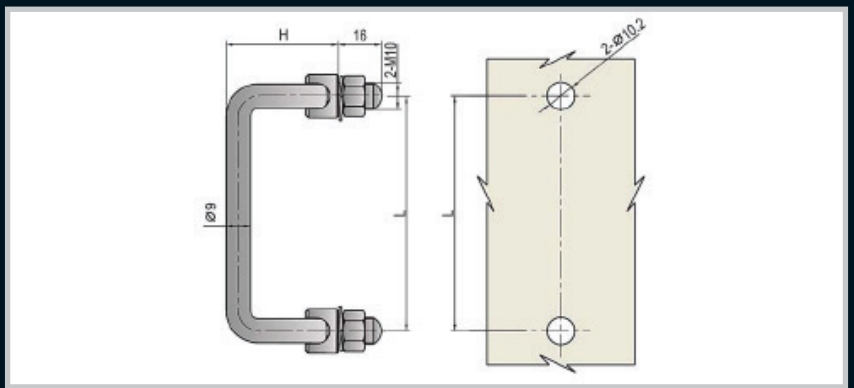
1010041 - 1010045 Pg.165	1010053 Pg.165	1010061 - 1010065 Pg.165	9401 Pg.166	1010120 Pg.166	56_116_S/H Pg.166
16_150_46_B Pg.167	22_3_19_K/C Pg.168	27_3_45_K/D/C_C Pg.168	22_3_105_25_P_P/K Pg.168	22_3_23_94_K/D/C Pg.169	22_3_31_100_K/C Pg.169
22_3_36_105 Pg.169	12_L115S/92268 Pg.170	22_L115S/92268 Pg.170	12_L115SP/AC Pg.170	22_L115SP/AC Pg.171	22_L115/92268/CAM Pg.171
19_3_112_P Pg.171	22_3_31_58_K/C Pg.172	22_3_37_78 Pg.172	22_T60/92268/CAM Pg.173	12_T60S/92268 Pg.173	22_T_60S/92268 Pg.173
12_T_100S/CL001 Pg.173	100_1_58_C/K Pg.174	96_1_15/92268 Pg.174	115_1_105/92268 Pg.175	84_1_30_B/K Pg.176	



Part number	Material	A (mm)	B (mm)	C (mm)	Washer	Screw
1010041	Zinc,Chrome Plated	6	30	50	M4	M4 X 10
1010042	Zinc,Chrome Plated	6	30	75	M4	M4 X 10
1010142-8	Zinc,Chrome Plated	8	30	75	M4	M4 X 10
1010043	Zinc,Chrome Plated	10	40	100	M5	M5 X 12
1010044	Zinc,Chrome Plated	12	46	115	M6	M5 X 12
1010045	Zinc,Chrome Plated	12	60	200	M6	M5 X 12



Part number	Material	A (mm)	B (mm)	C (mm)	Washer	Screw
1010053	Zinc,Black Powder Coated	10	40	100	M5	M5 X 12



Part Number Chrome	Part Number Stainless Steel	Material	L (mm)	H (41.5)	H (51.5)
1010061	1010066	Zinc	87	141	151
1010062	1010067	Zinc	100	241	251
1010063	1010068	Zinc	120	341	351
1010064	1010069	Zinc	135	441	451
1010065	1010070	Zinc	150	541	551

Enclosures

Hinges

Locks

Handles

Accessories

Rotary Operating Handles

Insulators

Transformer Equipment

Index

Enclosures

Hinges

Locks

Handles

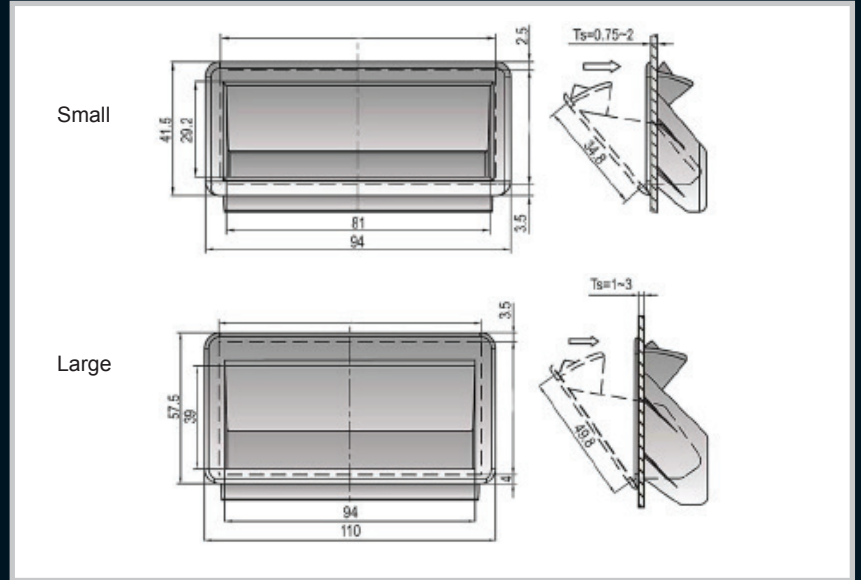
Accessories

Rotary Operating
Handles

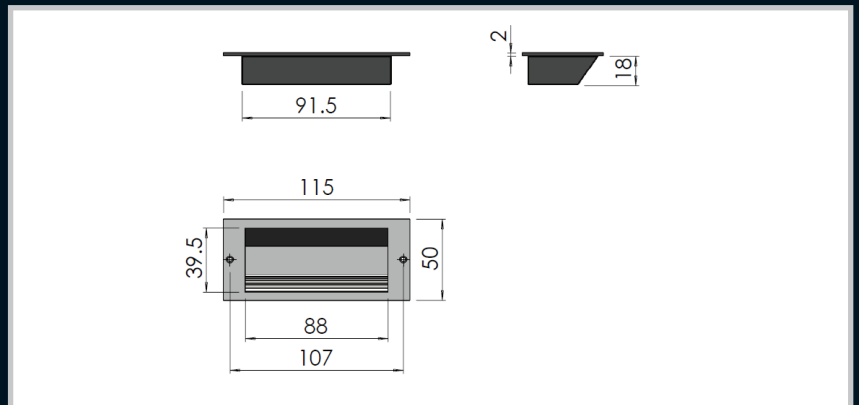
Insulators

Transformer
Equipment

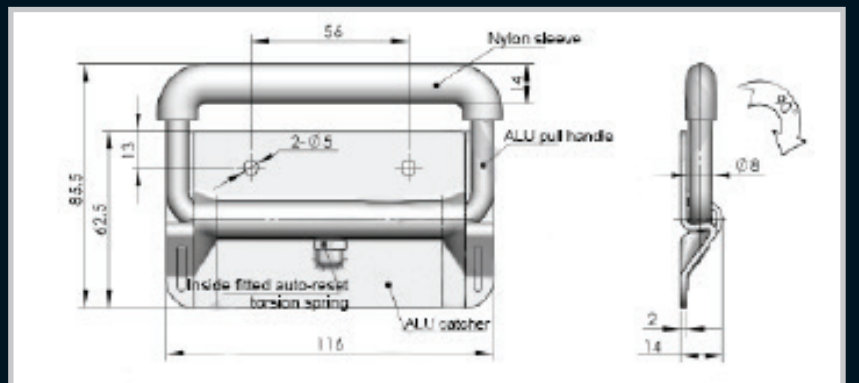
Index



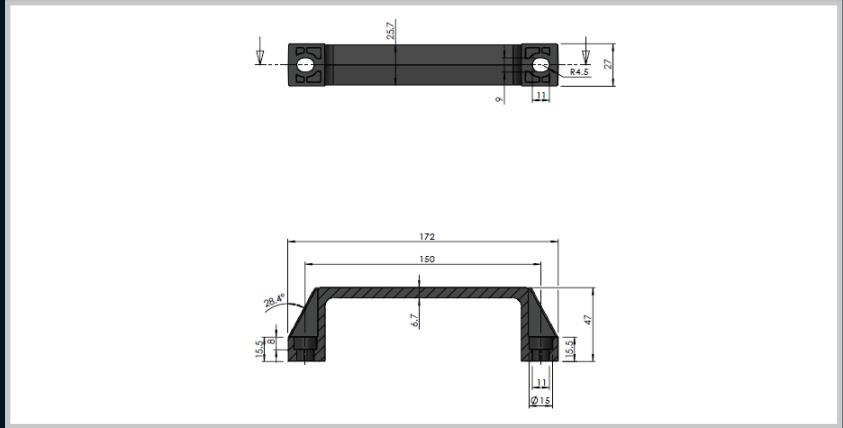
Part Number	Description
9401	Small
11002	Large



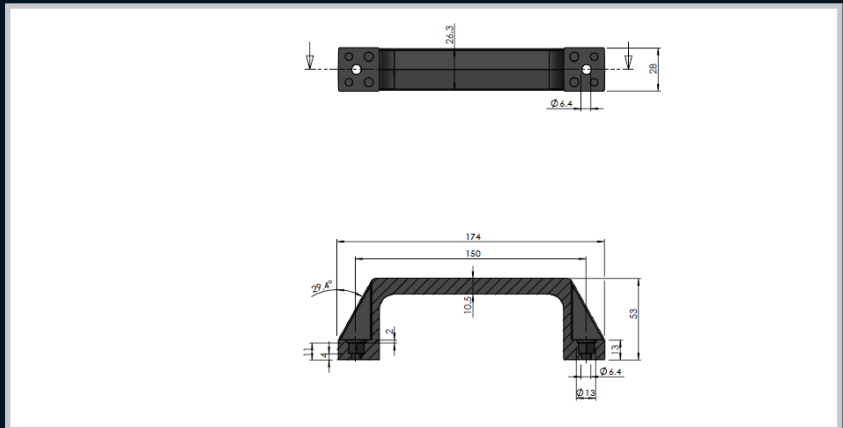
Part Number	Description
1010120	Black plastic with aluminium strip



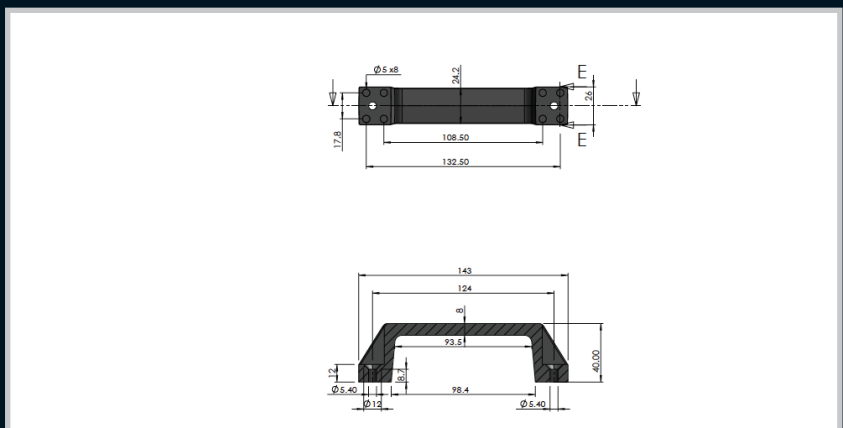
Part Number	Description
56_116_S/H	Spring loaded flush grab handle



Part Number	Description
16_150_46_B	Large plastic grab handle



Part Number	Description
13_150_53_B	Medium plastic grab handle



Part Number	Description
12_123_40_B	Small plastic grab handle

Enclosures

Hinges

Locks

Handles

Accessories

Rotary Operating Handles

Insulators

Transformer Equipment

Index

Enclosures

Hinges

Locks

Handles

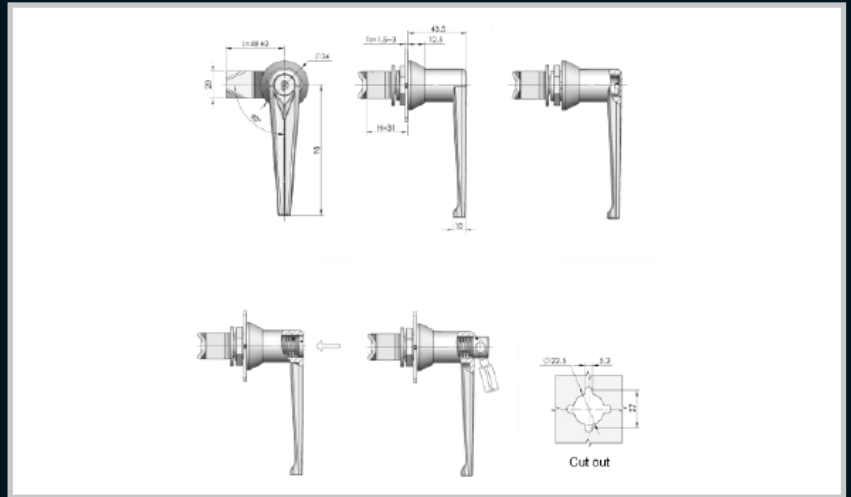
Accessories

Rotary Operating
Handles

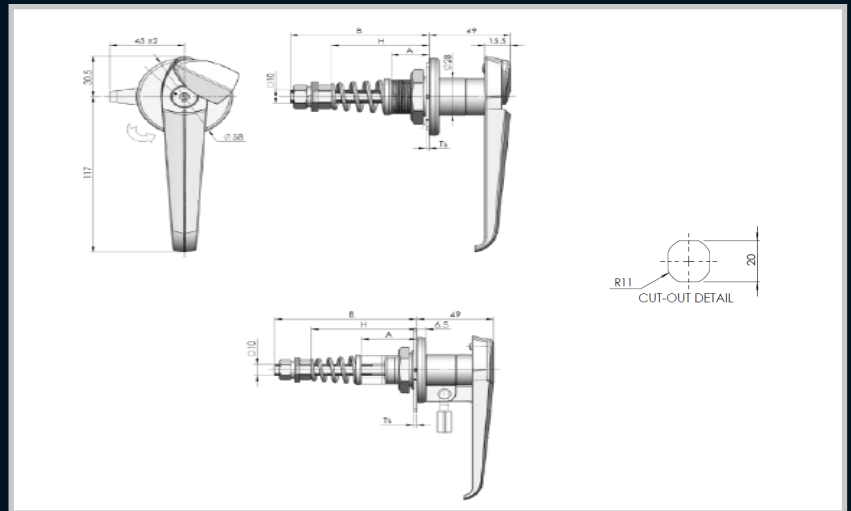
Insulators

Transformer
Equipment

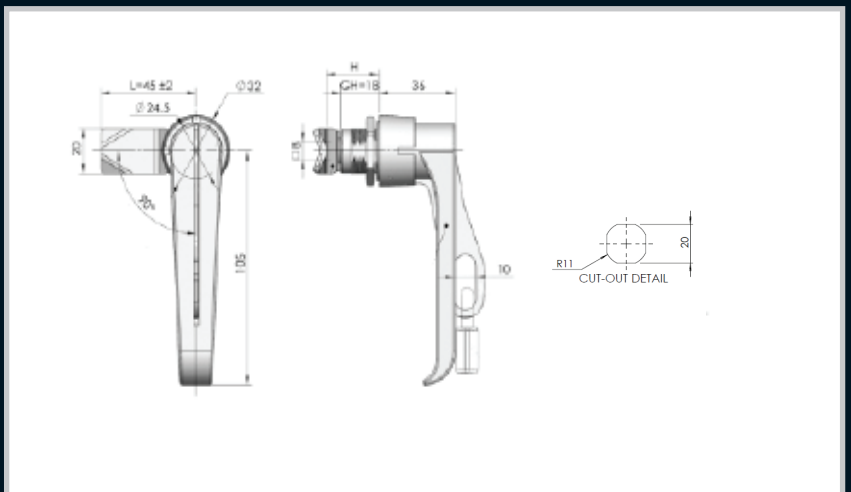
Index



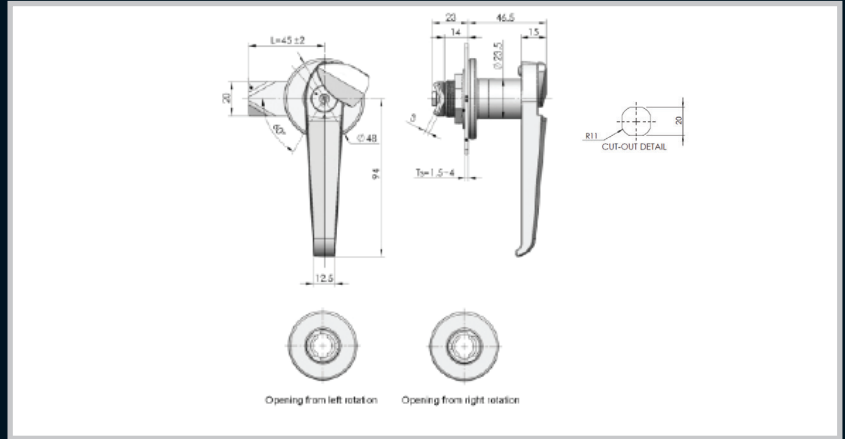
Part Number	Description
22_3_19_K/C	Key lockable L-handle Chrome



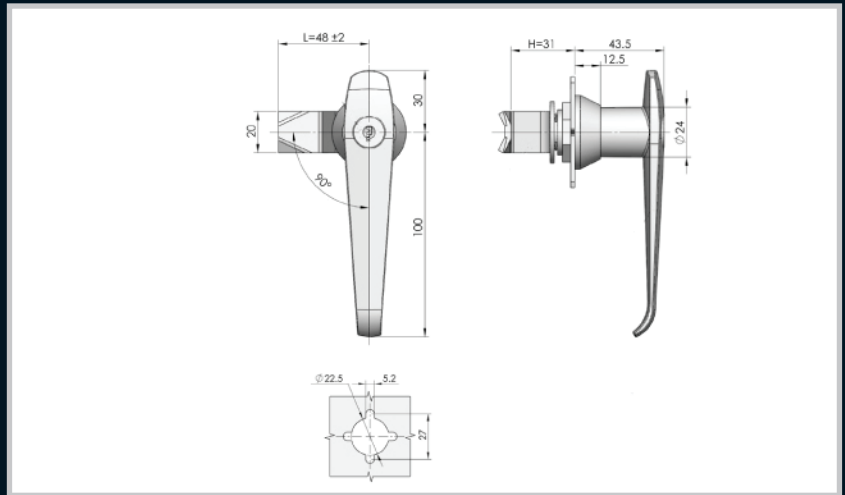
Part Number	Description
27_3_45_K/D/C_C	Key lockable compression L-handle with dust cap adjustable depth, Chrome
27_3_45_K/DK_C	Key and Padlockable compression L-handle with dust cap, adjustable depth
27_3_45_K/D/C	Key lockable L-handle with dust cap 117mm, Chrome



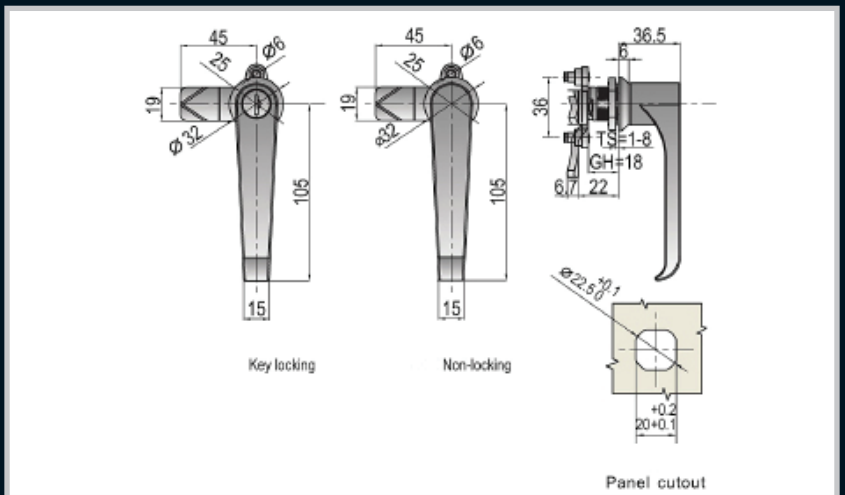
Part Number	Description
22_3_105_25_PP/K	Padlockable L-handle , Chrome



Part Number	Description
22_3_23_94_KDC	Key lockable L-handle with dust cap 94mm, Chrome



Part Number	Description
22_3_31_100_K/C	Key lockable L-handle 100mm, Chrome



Part Number	Description
22_3_36_105K/B	Black powder coated ZDC housing and handle, MS cam, Key locking
22_3_36_105K/C	Chrome plated ZDC housing and handle, MS cam, Key locking
22_3_36_105B	Black powder coated ZDC housing and handle, MS cam, Non locking
22_3_36_105C	Chrome plated ZDC housing and handle, MS cam, Non locking
22_3_36_105SS	Stainless Steel housing and handle, Stainless steel cam, non locking

Enclosures

Hinges

Locks

Handles

Accessories

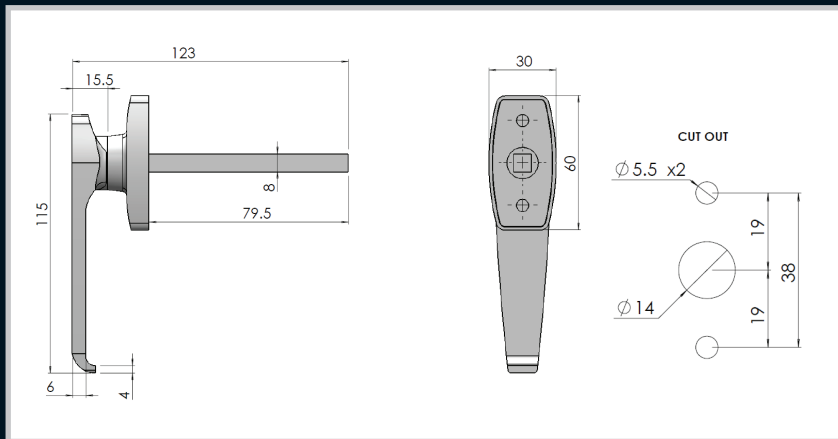
Rotary Operating Handles

Insulators

Transformer Equipment

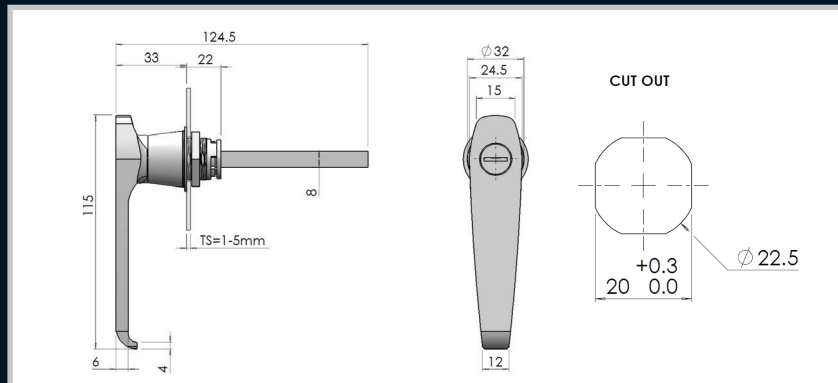
Index

Enclosures
Hinges
Locks
Handles
Accessories
Rotary Operating Handles
Insulators
Transformer Equipment
Index



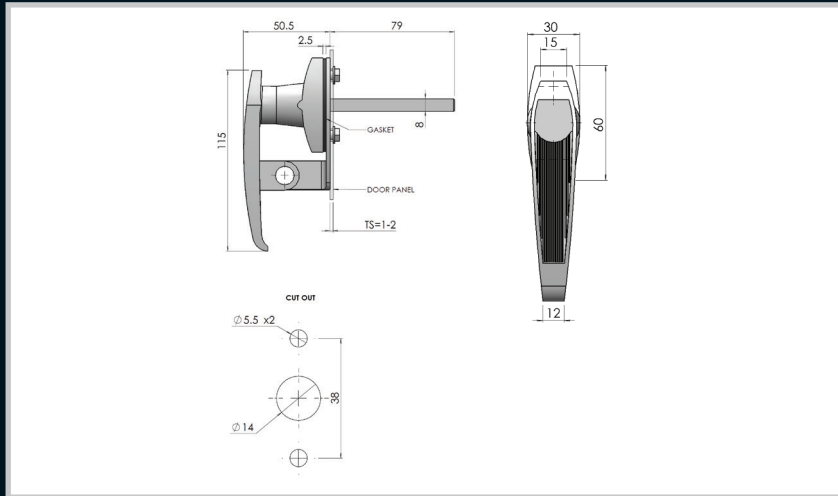
Remarks:
Key options:
Key 92268
Key CL001

Part Number	Description
12_L115S/92268	L-handle Chrome Locking Concealed Fix With Spindle
12_L115S/CL001	L-Handle Chrome Locking Concealed Fix With Spindle



Remarks:
Key options:
Key 92268
Key CL001

Part Number	Description
22_L115S/92268	L-handle Chrome Locking 1/4 Turn Fix With Spindle
22_L115S/CL001	L-Handle Chrome Locking 1/4 Turn Fix With Spindle

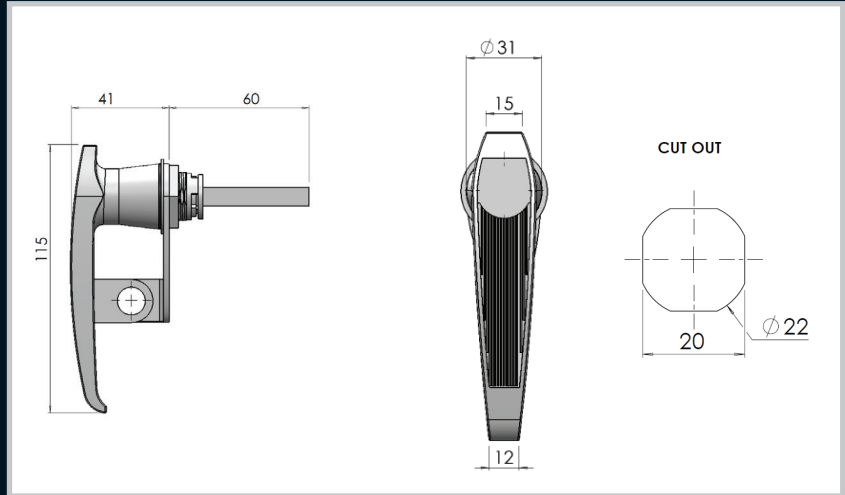


Remarks:
Movement options:
A/C - Anti-clockwise to unlock
C/W - Clockwise to unlock

Part Number	Description
12_L115SP/AC	L-Handle Padlockable Concealed Fix With Spindle A/C To Unlock
12_L115SP/CW	L-Handle Padlockable Concealed Fix With Spindle C/W To Unlock



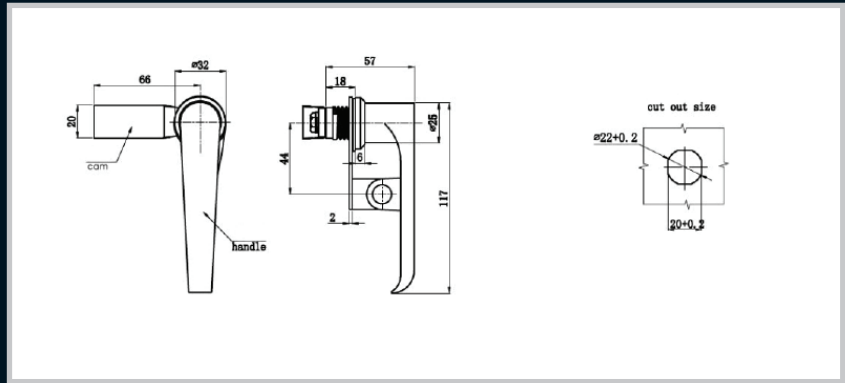
Remarks:
 Movement options:
 A/C - Anti-clockwise to unlock
 C/W - Clockwise to unlock



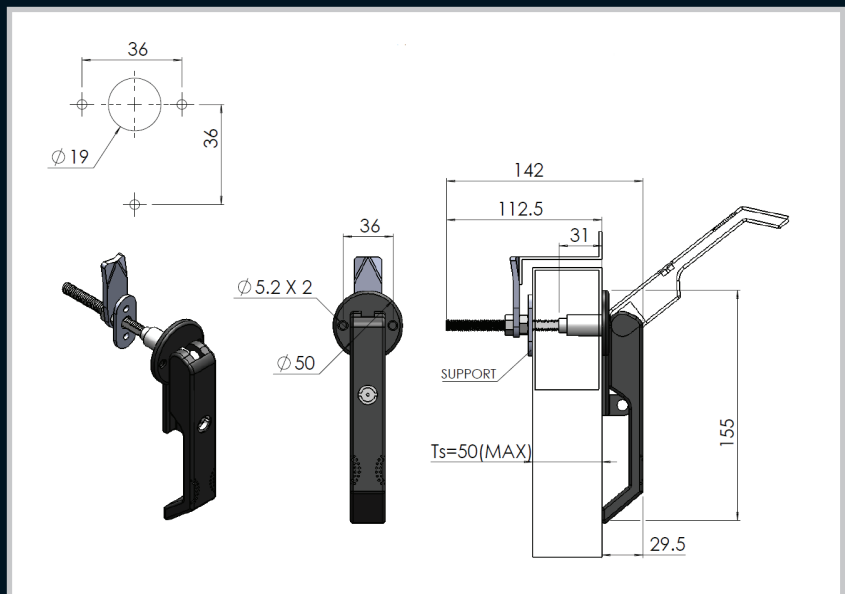
Part Number	Description
22_L115SP/AC	L-handle padlock 1/4 turn fix with spindle A/C to Unlock
22_L115SP/CW	L-handle padlock 1/4 turn fix with spindle C/W to Unlock



Remarks:
 Movement options:
 A/C - Anti-clockwise to unlock
 C/W - Clockwise to unlock



Part Number	Description
22_L115/92268/CAM	L-Handle Chrome Locking 1/4 Turn Fix No Spindle With Cam
22_L115P/CW/CAM	L-Handle Padlockable 1/4 Turn Fix No Spindle C/W To Unlock With Cam
22_L115P/AC/CAM	L-Handle Padlockable 1/4 Turn Fix No Spindle A/C To Unlock With Cam



Part Number	Description
19_3_112_P	Padlockable quarter-turn compression handle with double bit drive

Enclosures

Hinges

Locks

Handles

Accessories

Rotary Operating Handles

Insulators

Transformer Equipment

Index

Enclosures

Hinges

Locks

Handles

Accessories

Rotary Operating
Handles

Insulators

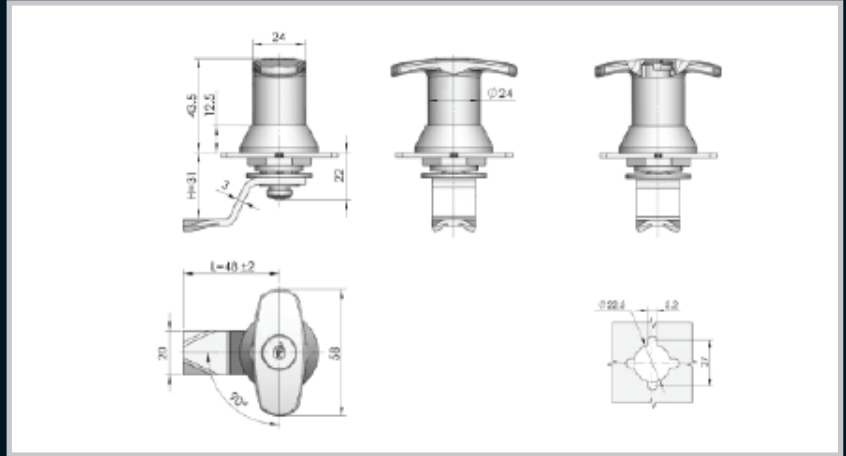
Transformer
Equipment

Index

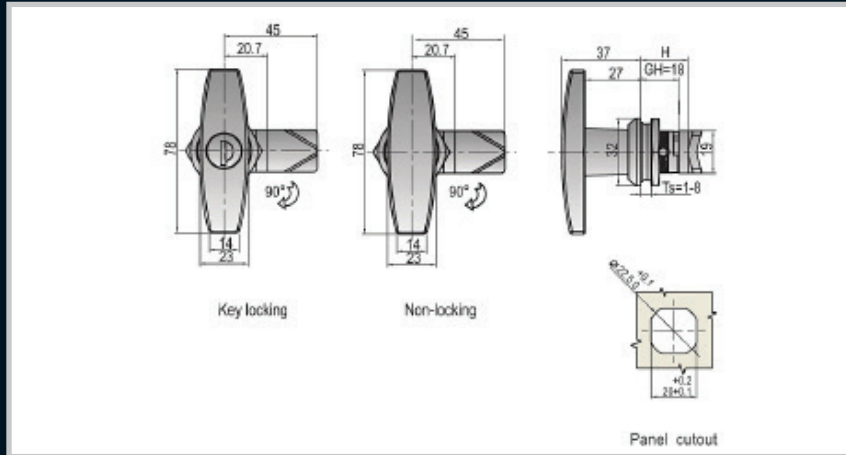
T - Handle



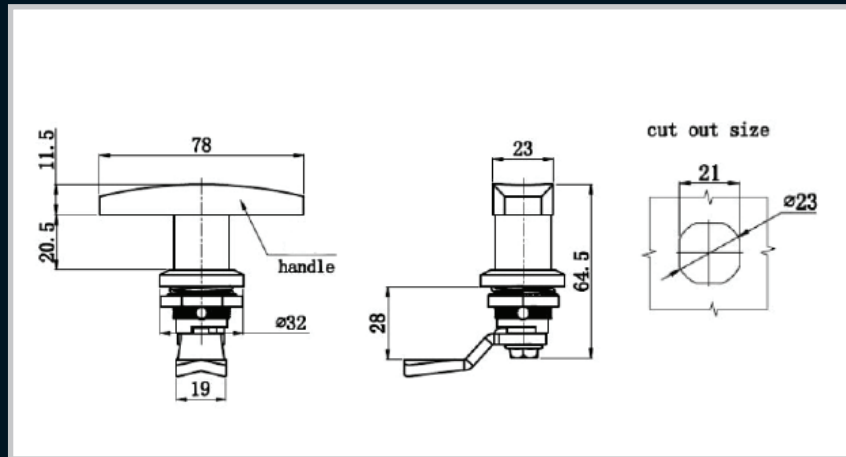
Remarks:
For cam options refer to pages 159,160,161



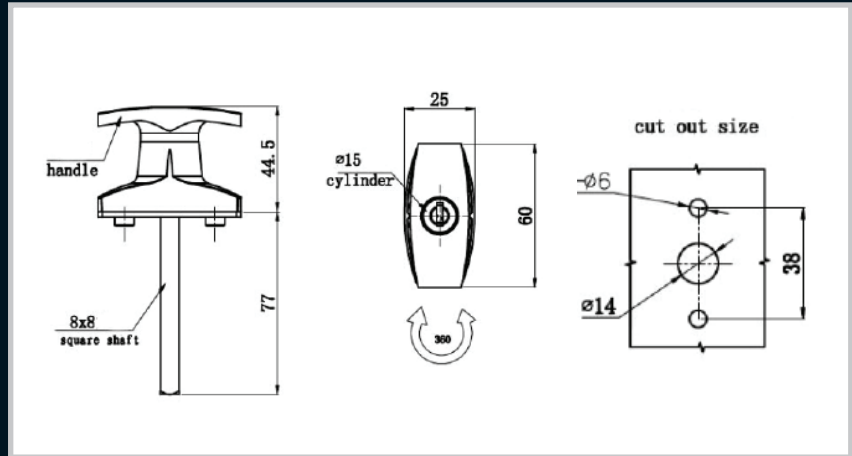
Part Number	Description
22_3_31_58_K/C	Key lockable T-handle, Chrome



Part Number	Description
22_3_18_BK_78	Black powder coated ZDC housing and handle, MS cam, Key locking
22_3_30_60B	Black powder coated ZDC housing and handle, MS cam, Non locking

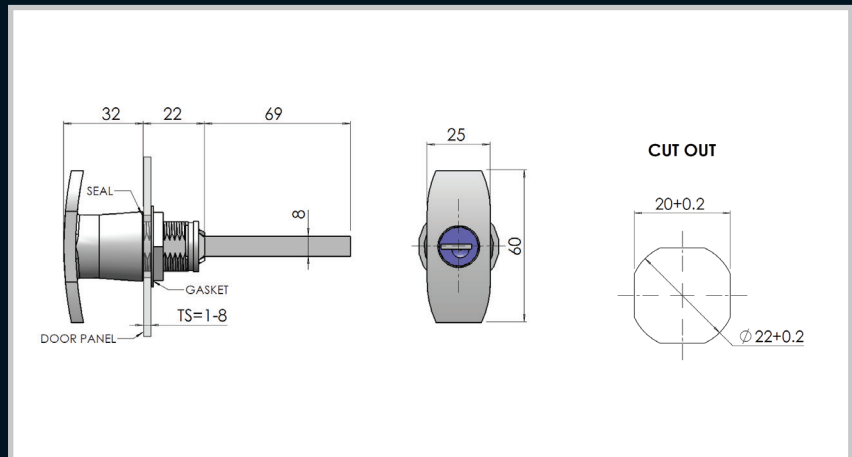


Part Number	Description
22_T60/9226	T-Handle chrome locking 1/4 turn fix no spindle with cam



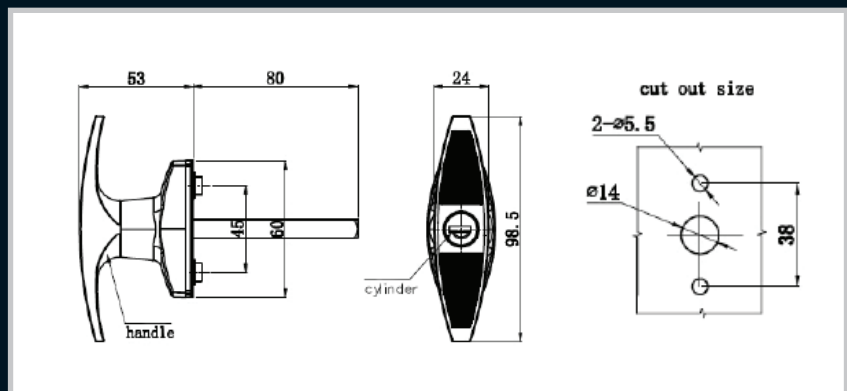
Part Number	Description
12_T_60S/92268	T-handle chrome locking concealed fix with spindle key 92268
12_T_60S/CL001	T-handle chrome locking concealed fix with spindle key CL001

Mini T - Handle



Part Number	Description
22_T_60S/9226	T-handle chrome locking 1/4 turn fix with spindle key 92268
22_T_60S/CL001	T-handle chrome locking 1/4 turn fix with spindle key CL001

Large T - Handle



Part Number	Description
12_T_100S/CL001	Large T-handle chrome locking concealed fix with spindle key CL001
12_T_100S/92268	Large T-handle chrome locking concealed fix with spindle key 92268

Remarks:
Concealed Fix , Movement 180 Degrees
 Key options:
 Key 92268
 Key CL001

Enclosures

Hinges

Locks

Handles

Accessories

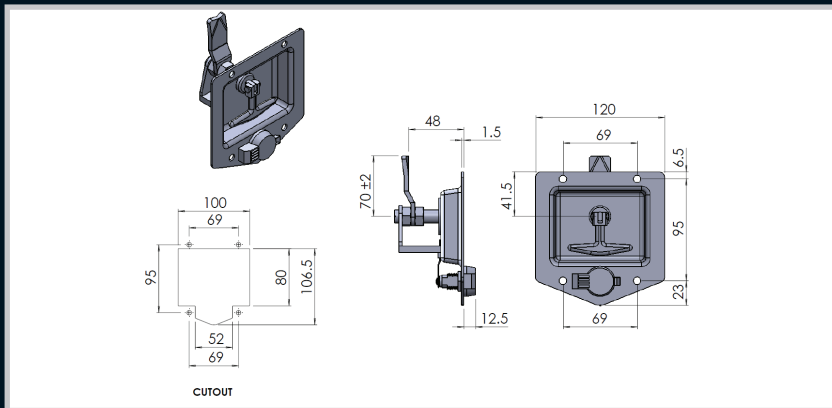
Rotary Operating
Handles

Insulators

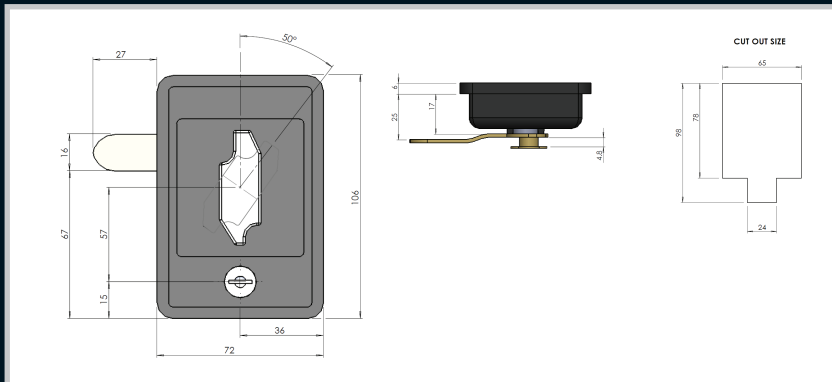
Transformer
Equipment

Index

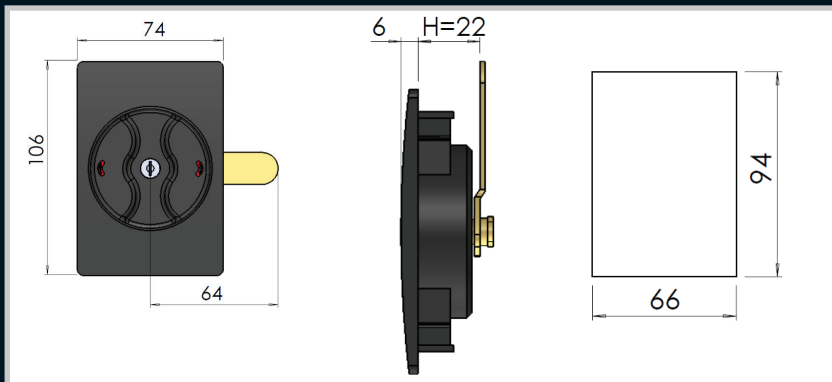
- Enclosures
- Hinges
- Locks
- Handles**
- Accessories
- Rotary Operating Handles
- Insulators
- Transformer Equipment
- Index



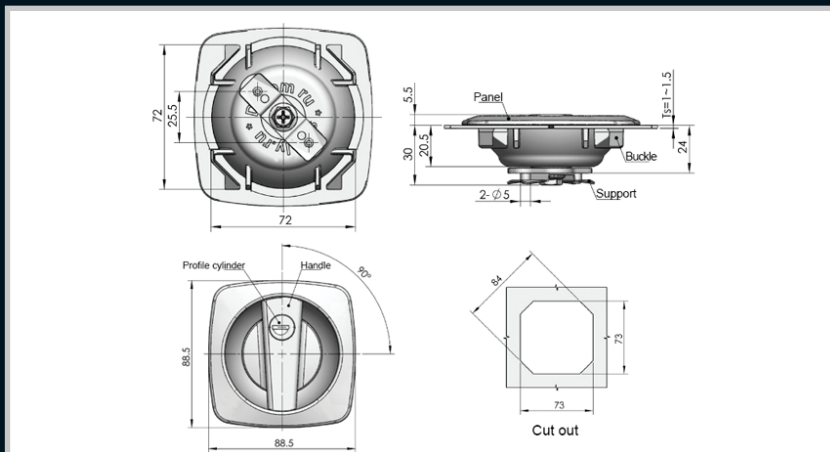
Part Number	Description
100_1_58_C/K	Key lockable flush adjustable paddle latch with T-handle , Chrome



Part Number	Description
96_1_15/92268	Black zinc flush handle keyed 92268
96_1_15/CL001	Black zinc flush handle keyed CL001



Part Number	Description
115_1_105/92268	Black plastic flush handle keyed 92268
115_1_105/CL001	Black plastic flush handle keyed CL001



Part Number	Description
84_1_30_B/K	Black PA housing and handle, zinc plated steel support

Enclosures
Hinges
Locks
Handles
Accessories
Rotary Operating Handles
Insulators
Transformer Equipment
Index

Notes:

