

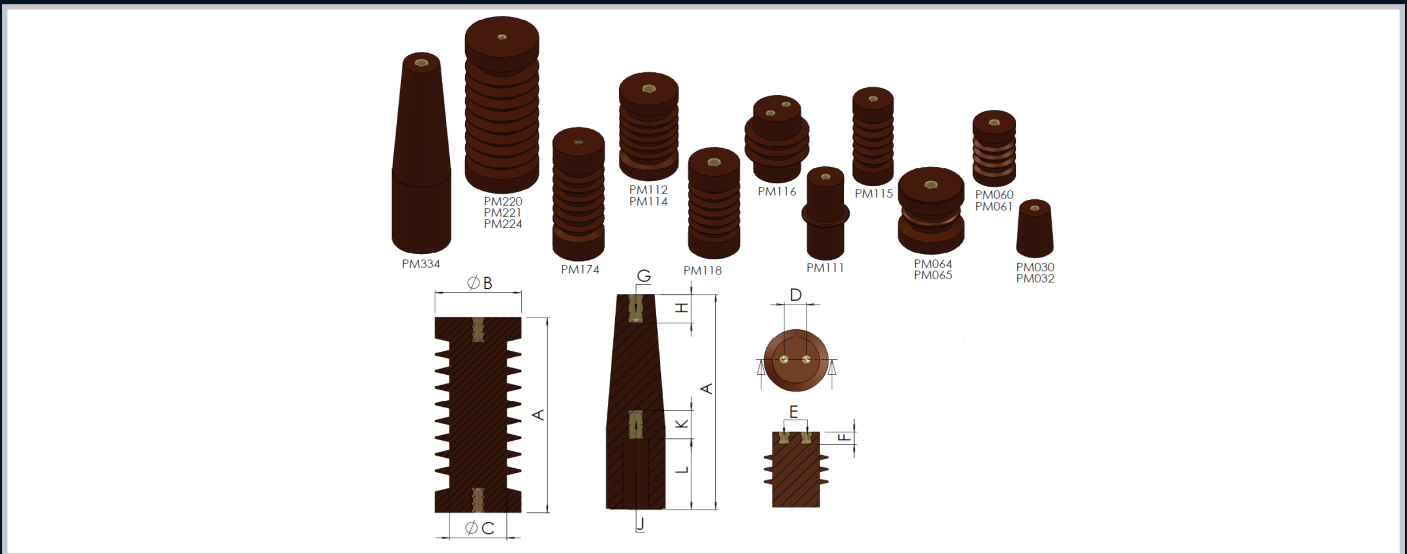
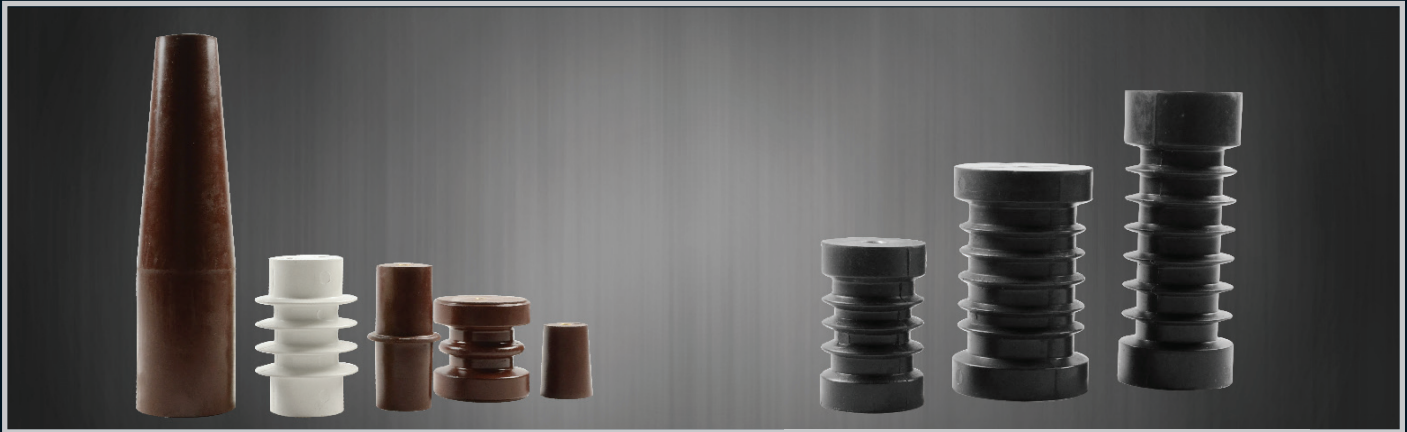


7

INSULATORS

CATALOGUE EDITION 5

					
PM Pg.217	PM Pg.217	B Pg.218	SP Pg.219	SL Pg.220	SPL Pg.221
					
CP Pg.222	CL & CPL Pg.223	GL Pg.224	GP Pg.225	GPL Pg.225	HP Pg.226
					
HPL & HL Pg.227	IL Pg.228	SM Pg.229	WP Pg.230	OP Pg.231	VP & VL Pg.232
					
KNOBS Pg.233	RED STEPPED Pg.234	RED STEPPED Pg.234	3 CEN BUSBARS Pg.235	BUSBAR SUPPORT Pg.235	AL BUSBAR SUPPORT Pg.236
					
AB BUSBAR SUPPORT Pg.236					



Part Number		Um	A	B	C	D	E	F	G	H	J	K	L	LI (kV)	MIN FAIL (kN)	ACSD (kV)
							Thread Insert (mm)		Thread Insert (mm)		Thread Insert (mm)					
050-180	PM030	3.3kV	70	50	42	-	-	-	1,5 x M10	14	1,5 x M10	10	-	40	4	10
050-181	PM032	3.3kV	70	50	40	25	1,25 x M8	12	-	-	1,25 x M8	10	-	40	4	10
050-100	PM060	6.6kV	90	57	45	-	-	-	1,75 x M12	17	1,75 x M12	17	-	50	4	18
050-116	PM061	6.6kV	90	55	40	32	1,25 x M8	12	-	-	1,25 x M8	12	-	50	4	18
050-111	PM064	6.6kV	90	90	60	50	1,5 x M10	14	-	-	1,5 x M10	14	-	50	5	18
050-104	PM065	6.6kV	90	55	45	32	1,25 x M8	12	-	-	1,75 x M12	17	-	50	4	18
050-120	PM111	11kV	127	60	50	-	-	-	1,5 x M10	22	1,5 x M10	22	-	75	8	28
050-142	PM112	11kV	130	80	62	-	-	-	2 x M16	22	2 x M20	32	-	75	12	28
050-133	PM114	11kV	130	80	62	46	1,5 x M10	14	2 x M16	22	2 x M20	32	20	75	12	28
050-134	PM115	11kV	130	55	-	32	1 x M6	10	1,5 x M10	22	2 x M16	32	14	75	-	28
050-126	PM116	11kV	130	63	87	30	1,5 x M10	17	2 x M10	-	2 x M10	17	-	75	-	28
050-128	PM118	15kV	142	70	70	40	1,25 x M8	12	1,5 x M10	25	2 x M16	30	-	80	9.5	38
050-143	PM174	17.5kV	175	70	50	36	1 x M6	10	1,5 x M10	22	2 x M16	40	20	95	-	38
050-140	PM220	22kV	215	100	80	-	-	-	2 x M16	22	1 x M6	22	-	125	12	50
050-121	PM221	22kV	215	100	80	-	1,75 x M12	25	-	-	1,75 x M12	25	-	125	12	50
050-141	PM224	22kV	215	100	80	50	1,5 x M10	14	2 x M16	22	2 x M20	32	20	125	12	50
050-161	PM334	33kV	295	80	50	-	-	-	1,75 x M12	34	2 x M16	32	98	170	9	70

Recommended Torque (N.m)

M6 = 6 , M8 = 10 , M10 = 12 , M12 = 16 , M16 = 16 , M20 = 16

Enclosures

Hinges

Locks

Handles

Accessories

Rotary Operating Handles

Insulators

Transformer Equipment

Index

Enclosures

Hinges

Locks

Handles

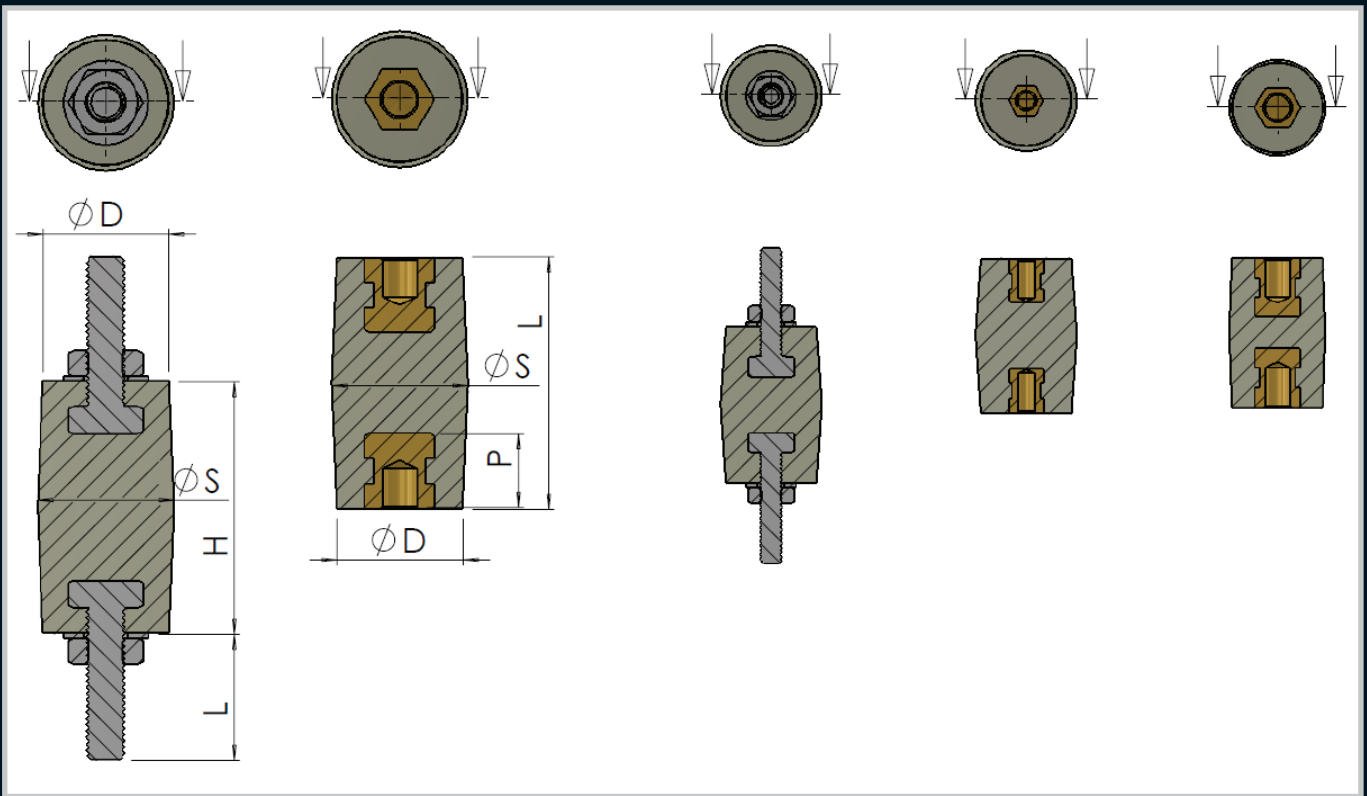
Accessories

Rotary Operating
Handles

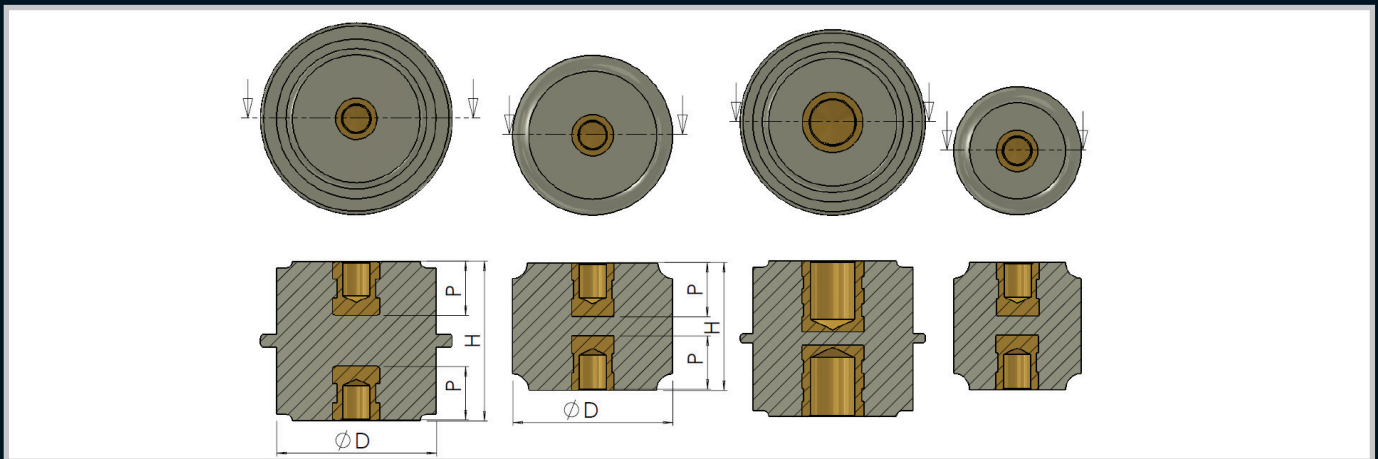
Insulators

Transformer
Equipment

Index



Part Number	Type	Thread Size (mm)	Height H (mm)	Diameter D (mm)	Shed Diameter S (mm)	Stud Length L (mm)	Stud/Insert	Recommended Torque (N.m)	Insert Depth P (mm)
050-018	BL-8W	1,25	50	25	28	25	M8	10	-
050-017	BP-8W	1,25	50	25	28	-	M8	10	13
050-015	BP-5W	0,8	30	17	20	-	M5	4	8
050-015/BK	BP-5BK	0,8	30	17	20	-	M5	4	8
050-206	BP-6W	1	30	17	20	-	M6	6	11
050-206/BK	BP-6BK	1	30	17	20	-	M6	6	11
050-016	BL-5W	0,8	30	17	20	15	M5	4	-



Part Number	Type	Thread Size (mm)	Recommended Torque (N.m)	H (mm)	D (mm)	P (mm)	Stud /Insert
050-055	SP-6/BK	1	6	40	20	12	M6
050-054	SP-6/BL	1	6	40	20	12	M6
050-053	SP-6/R	1	6	40	20	12	M6
050-007	SP-6/W	1	6	40	20	12	M6
050-061	SP-8/BK	1,25	10	40	30	15	M8
050-060	SP-8/BL	1,25	10	40	30	15	M8
050-059	SP-8/R	1,25	10	40	30	15	M8
050-009	SP-8/W	1,25	10	40	30	15	M8
050-033	SP-10/S1/W	1,5	12	63	40	16	M10
050-034	SP-10/S2/W	1,5	12	75	40	16	M10
050-027	SP-10/S2/R	1,5	12	75	40	16	M10
050-228	SP-10/S3/W	1,5	12	40	50	16	M10
050-067	SP-10/BK	1,5	12	40	40	16	M10
050-066	SP-10/BL	1,5	12	40	40	16	M10
050-065	SP-10/R	1,5	12	40	40	16	M10
050-011	SP-10/W	1,5	12	40	40	16	M10
050-073	SP-12/BK	1,75	16	50	50/60	16	M12
050-072	SP-12/BL	1,75	16	50	50/60	16	M12
050-071	SP-12/R	1,75	16	50	50/60	16	M12
050-013	SP-12/W	1,75	16	50	50/60	16	M12

Enclosures

Hinges

Locks

Handles

Accessories

Rotary Operating
Handles

Insulators

Transformer
Equipment

Index

Enclosures

Hinges

Locks

Handles

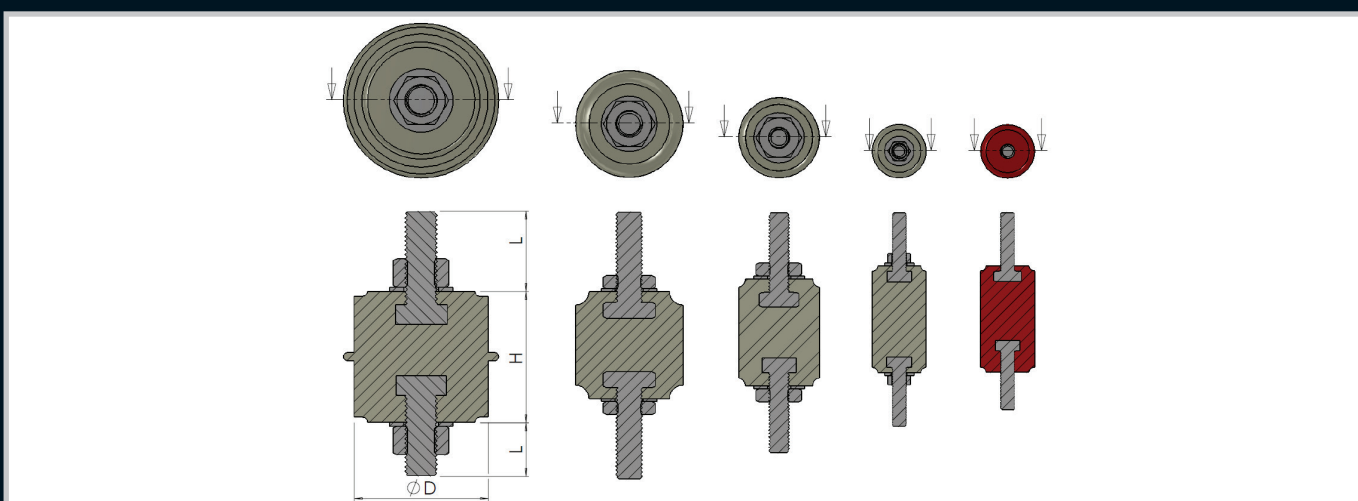
Accessories

Rotary Operating
Handles

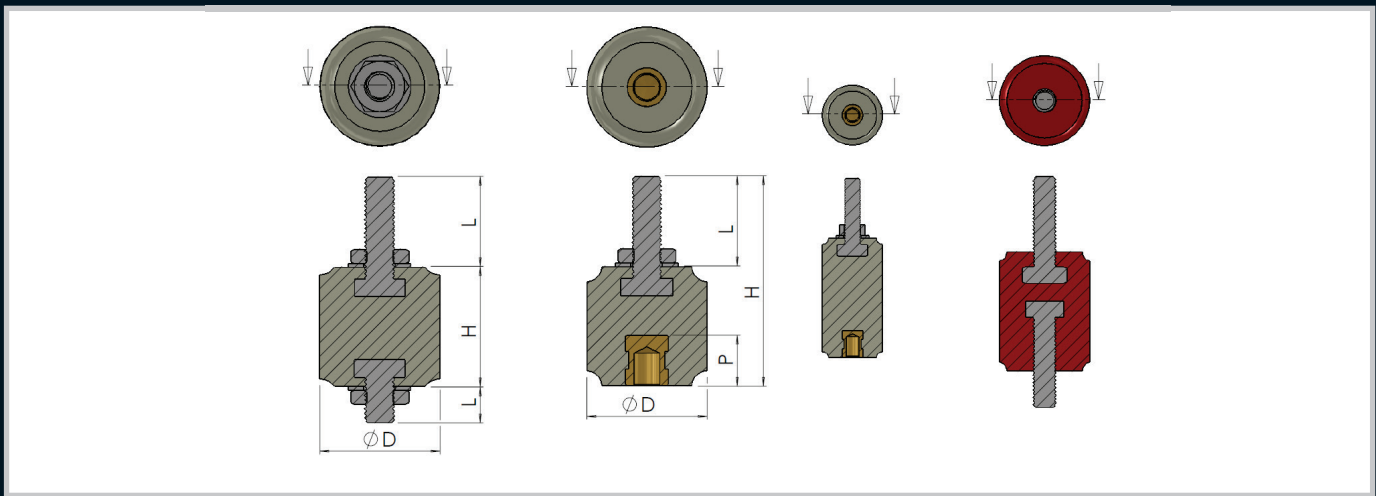
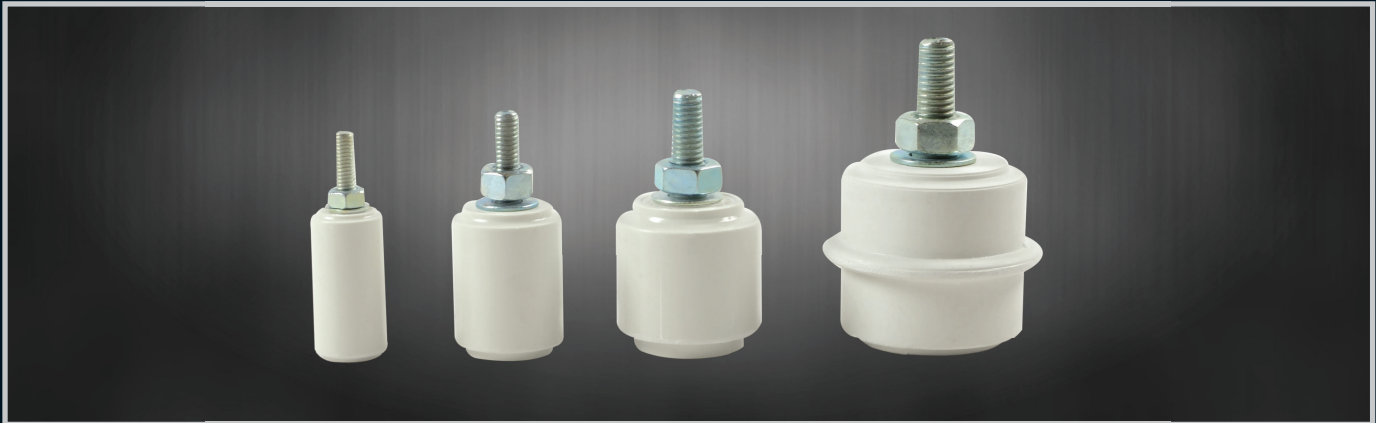
Insulators

Transformer
Equipment

Index



Part Number	Type	Thread Size (mm)	Recommended Torque (N.m)	H (mm)	D (mm)	L (mm)	Stud /Insert
050-056	SL-6R	1	6	40	20	20	M6
050-008	SL-6W	1	6	40	20	20	M6
050-058	SL-6/BK	1	6	40	20	20	M6
050-057	SL-6/BL	1	6	40	20	20	M6
050-010	SL-8/W	1,25	10	40	30	25	M8
050-064	SL-8/BK	1,25	10	40	30	25	M8
050-063	SL-8/BL	1,25	10	40	30	25	M8
050-062	SL-8/R	1,25	10	40	30	25	M8
050-012	SL-10/W	1,5	12	40	40	30	M10
050-070	SL-10/BK	1,5	12	40	40	30	M10
050-069	SL-10/BL	1,5	12	40	40	30	M10
050-068	SL-10/R	1,5	12	40	40	30	M10
050-210	SL-12/W	1,75	16	50	50/60	16	M12
050-278	SL-12/BK	1,75	16	50	50/60	16	M12
050-277	SL-12/BL	1,75	16	50	50/60	16	M12
050-276	SL-12/R	1,75	16	50	50/60	16	M12



Part Number	Type	Thread Size (mm)	Recommended Torque (N.m)	H (mm)	D (mm)	P (mm)	L (mm)	Stud /Insert
050-315	SPL-6/BK	1	6	40	20	12	20	M6
050-314	SPL-6/BL	1	6	40	20	12	20	M6
050-313	SPL-6/R	1	6	40	20	12	20	M6
050-198	SPL-6/W	1	6	40	20	12	20	M6
050-318	SPL-8BK	1,25	10	40	30	15	25	M8
050-317	SPL-8/BL	1,25	10	40	30	15	25	M8
050-316	SPL-8/R	1,25	10	40	30	15	25	M8
050-199	SPL-8/W	1,25	10	40	30	15	25	M8
050-343	SPL-8 S/STEEL WHITE	1,25	10	40	30	15	25	M8
050-344	SPL-8 S/STEEL RED	1,25	10	40	30	15	25	M8
050-345	SPL-8S/STEEL BLUE	1,25	10	40	30	15	25	M8
050-346	SPL-8 S/STEEL BLACK	1,25	10	40	30	15	25	M8
050-321	SPL-10/BK	1,5	12	40	30	17	30	M10
050-320	SPL-10/BL	1,5	12	40	40	17	30	M10
050-319	SPL-10/R	1,5	12	40	40	17	30	M10
050-200	SPL-10/W	1,5	12	40	40	17	30	M10
050-295	SPL-10S/STEEL RED	1,5	12	40	40	17	30	M10
050-296	SPL-10S/STEEL BLUE	1,5	12	40	40	17	30	M10
050-297	SPL-10S/STEEL WHITE	1,5	12	40	40	17	30	M10
050-304	SPL-10S/STEEL BK	1,5	12	40	40	17	30	M10
050-324	SPL-12/BK	1,75	16	50	50/60	16	20/30	M12
050-323	SPL-12/BL	1,75	16	50	50/60	16	20/30	M12
050-322	SPL-12/R	1,75	16	50	50/60	16	20/30	M12
050-201	SPL-12/W	1,75	16	50	50/60	16	20/30	M12

Enclosures

Hinges

Locks

Handles

Accessories

Rotary Operating Handles

Insulators

Transformer Equipment

Index

Enclosures

Hinges

Locks

Handles

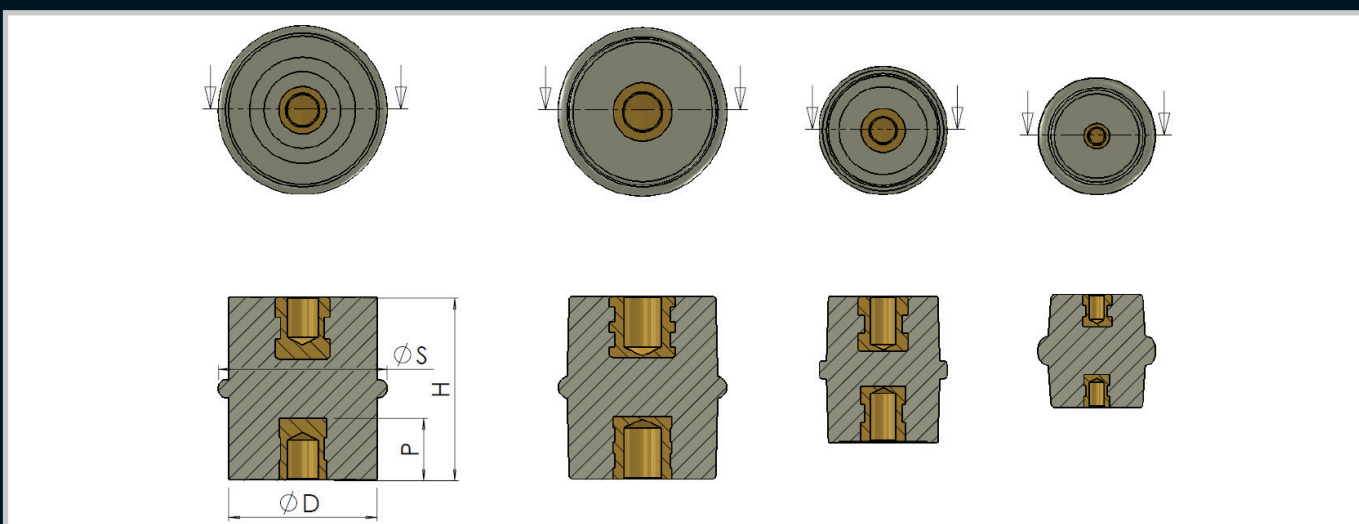
Accessories

Rotary Operating
Handles

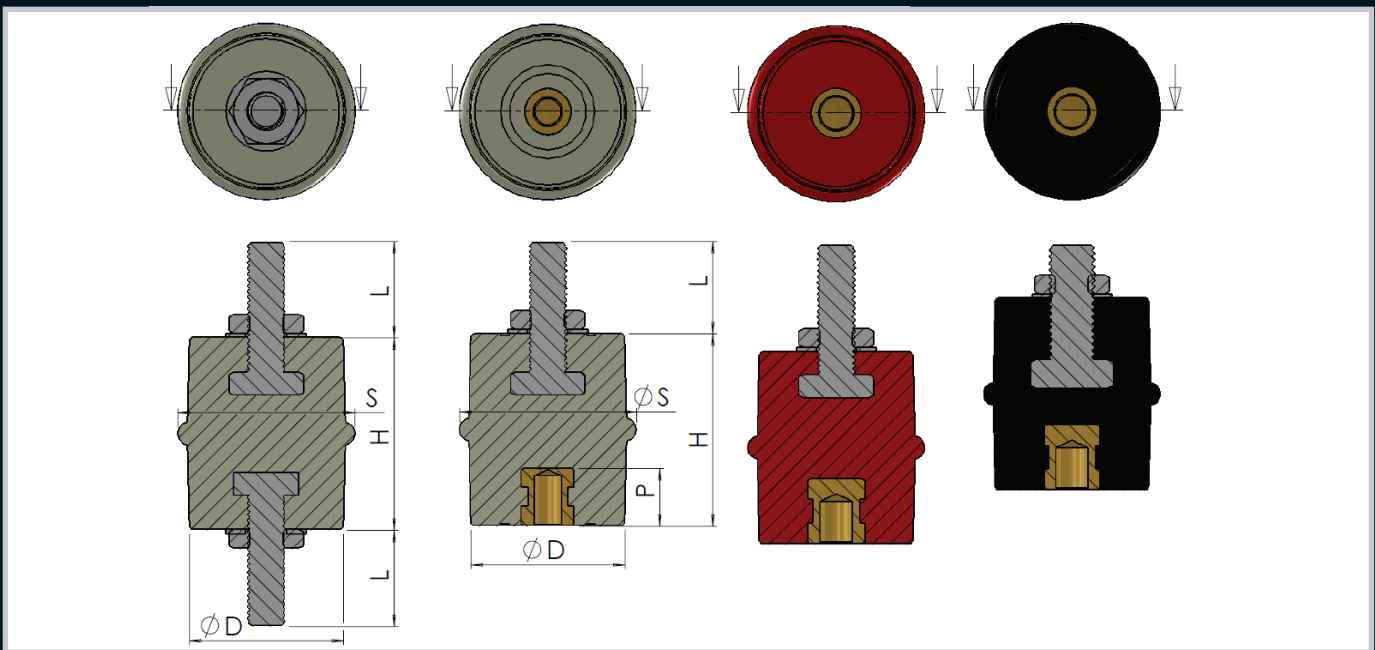
Insulators

Transformer
Equipment

Index



Part Number	Type	Thread Size (mm)	Recommended Torque (N.m)	Insert	H (mm)	D (mm)	Shed Diameter D (mm)	Stud Length L (mm)	Insert Depth P (mm)
050-099	CP-6/W	1	6	M6	31	25	30	-	11
050-190	CP-8/W	1,25	10	M8	41	30	35	-	13
050-191	CP-10/W	1,5	12	M10	50	40	45	-	12
050-305	CP-10/R	1,5	12	M10	50	40	45	-	12
050-325	CP-10/BK	1,5	12	M10	50	40	45	-	12
050-326	CP-10/BL	1,5	12	M10	50	40	45	-	12
050-194	CP-10/12	1,5 / 1,75	12 / 16	M10 / M12	50	45	45	-	16
050-192	CP-12/W	1,75	12	M12	60	45	60	-	16
050-195	CP-12/10	1,5 / 1,75	12 / 16	M10 / M12	60	45	60	-	15
050-193	CP-16/W	2	16	M16	60	45	60	-	20



Part Number	Type	Thread	Recommended Torque (N.m)	H (mm)	D (mm)	Shed Diameter (mm)	Stud Length L (mm)	Insert Depth P (mm)	Stud/Insert
050-197	CPL-10/W	1,5	12	50	40	45	25	15	M10
050-254	CPL-10 S/S BK	1,5	12	50	40	45	30	14	M10
050-252	CPL-10 S/S BL	1,5	12	50	40	45	30	14	M10
050-253	CPL-10 S/S R	1,5	12	50	40	45	30	12	M10
050-251	CPL-10 S/S W	1,5	12	50	40	45	30	12	M10

Enclosures

Hinges

Locks

Handles

Accessories

Rotary Operating Handles

Insulators

Transformer Equipment

Index

Enclosures

Hinges

Locks

Handles

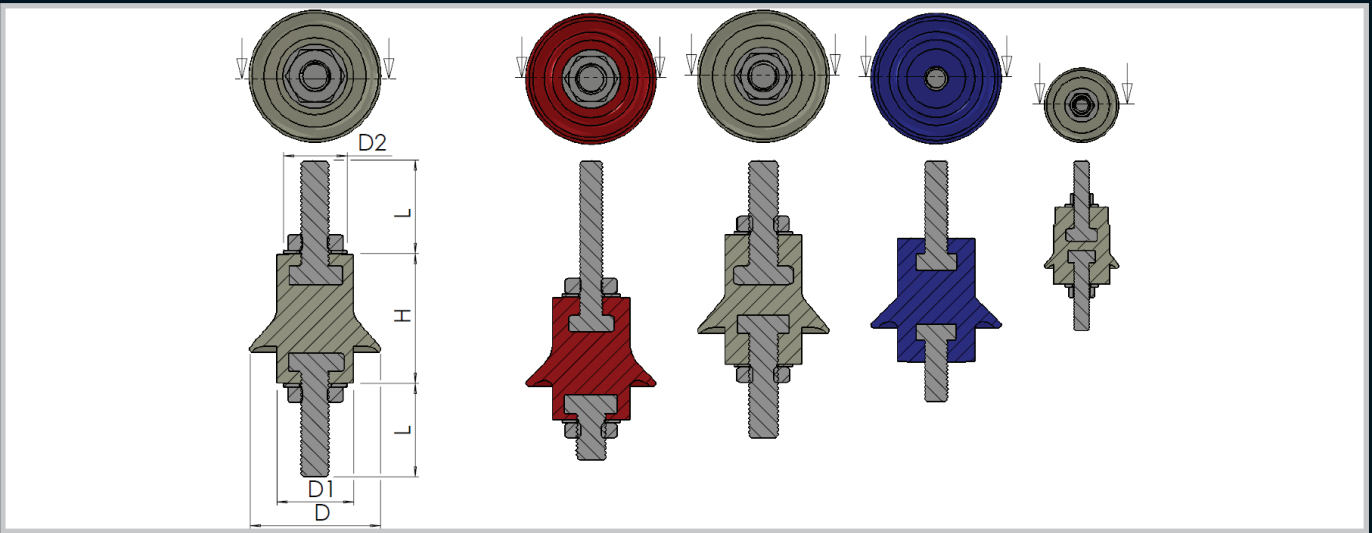
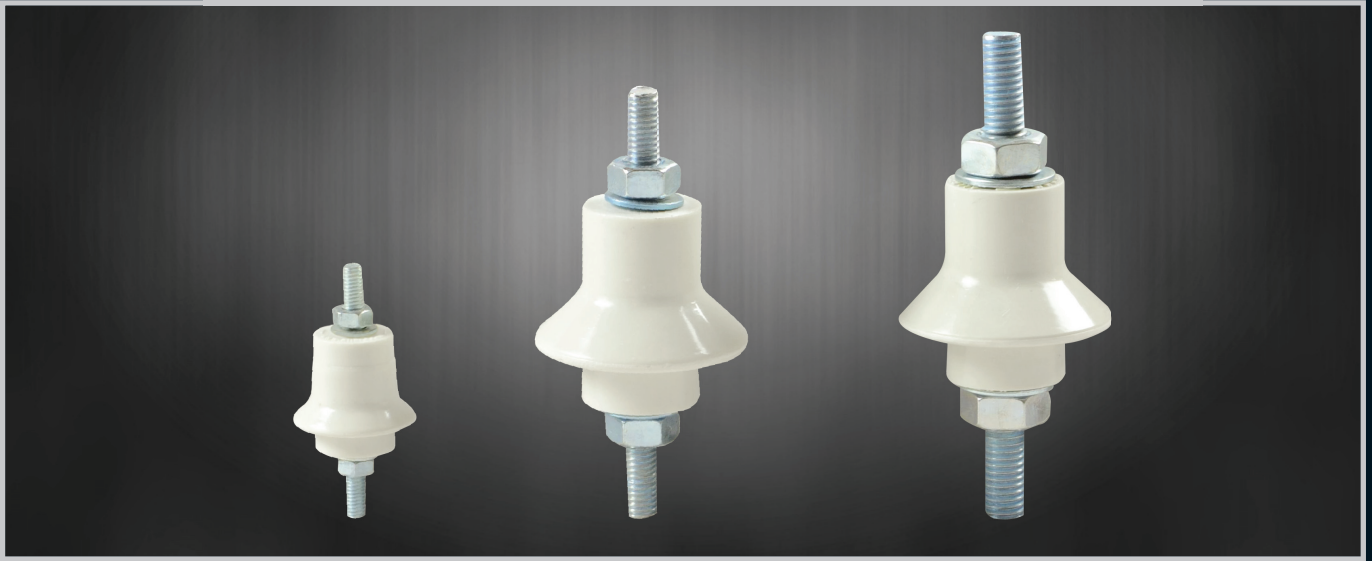
Accessories

Rotary Operating
Handles

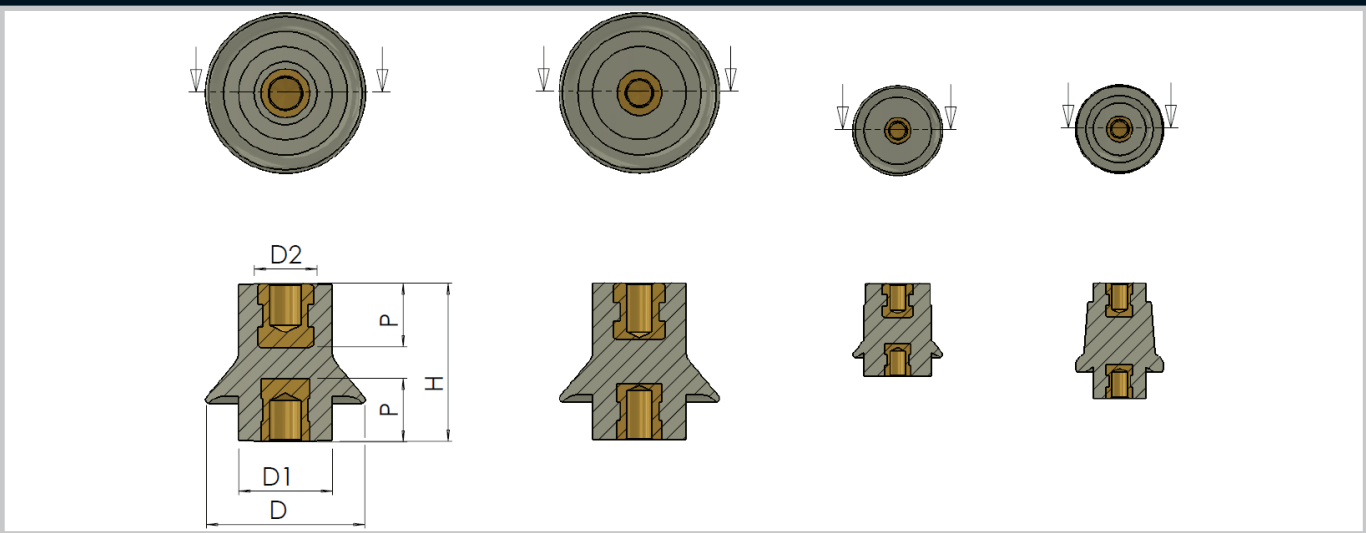
Insulators

Transformer
Equipment

Index



Part Number	Type	Thread Size (mm)	Recommended Torque (N.m)	H (mm)	D (mm)	L (mm)	D1 (mm)	D2 (mm)	Stud/Insert
050-040	GL-5/BK	0,8	4	25	26	15	17	15	M5
050-039	GL-5/BL	0,8	4	25	26	15	17	15	M5
050-038	GL-5/R	0,8	4	25	26	15	17	15	M5
050-002	GL-5/W	0,8	4	25	26	15	17	15	M5
050-046	GL-8/BK	1,25	10	42	45	25	25	15	M8
050-045	GL-8/BL	1,25	10	42	45	25	25	15	M8
050-044	GL-8/R	1,25	10	42	45	25	25	15	M8
050-004	GL-8/W	1,25	10	42	45	25	25	15	M8
050-052	GL-10/BK	1,5	12	42	45	30	25	15	M10
050-051	GL-10/BL	1,5	12	42	45	30	25	15	M10
050-050	GL-10/R	1,5	12	42	45	30	25	15	M10
050-006	GL-10/W	1,5	12	42	45	30	25	15	M10



Part Number	Type	Thread Size (mm)	Recommended Torque (N.m)	H (mm)	D (mm)	P (mm)	L (mm)	D1 (mm)	D2 (mm)	Stud/Insert
050-037	GP-5/BK	0,8	4	25	26	8	-	17	15	M5
050-036	GP-5/BL	0,8	4	25	26	8	-	17	15	M5
050-035	GP-5/R	0,8	4	25	26	8	-	17	15	M5
050-001	GP-5/W	0,8	4	25	26	8	-	17	15	M5
050-270	GP-5/RAISED BL	0,8	4	31	17	8	-	14	9	M5
050-271	GP-5/RAISED BK	0,8	4	31	17	8	-	14	9	M5
050-272	GP-5/RAISED R	0,8	4	31	17	8	-	14	9	M5
050-043	GP-8/BK	1,25	10	42	45	15	-	25	15	M8
050-042	GP-8/BL	1,25	10	42	45	15	-	25	15	M8
050-041	GP-8/R	1,25	10	42	45	15	-	25	15	M8
050-003	GP-8/W	1,25	10	42	45	15	-	25	15	M8
050-049	GP-10/BK	1,5	12	42	45	17	-	25	15	M10
050-048	GP-10/BL	1,5	12	42	45	17	-	25	15	M10
050-047	GP-10/R	1,5	12	42	45	17	-	25	15	M10
050-005	GP-10/W	1,5	12	42	45	17	-	25	15	M10

Enclosures

Hinges

Locks

Handles

Accessories

Rotary Operating Handles

Insulators

Transformer Equipment

Index

Enclosures

Hinges

Locks

Handles

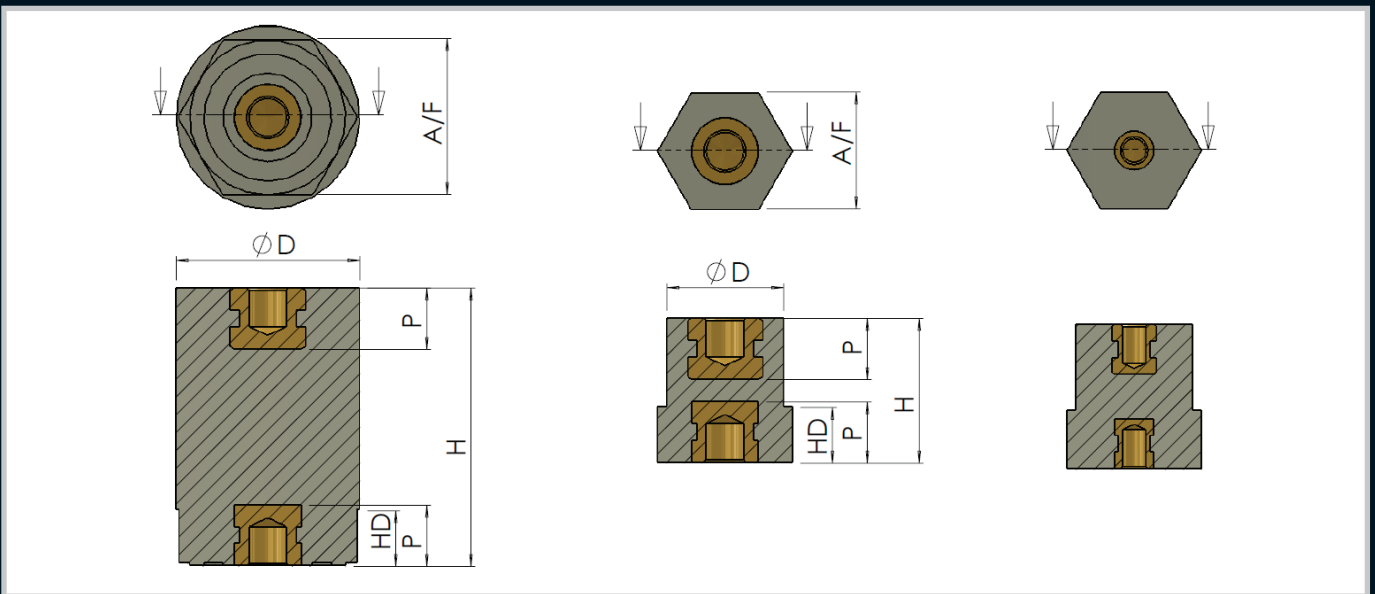
Accessories

Rotary Operating
Handles

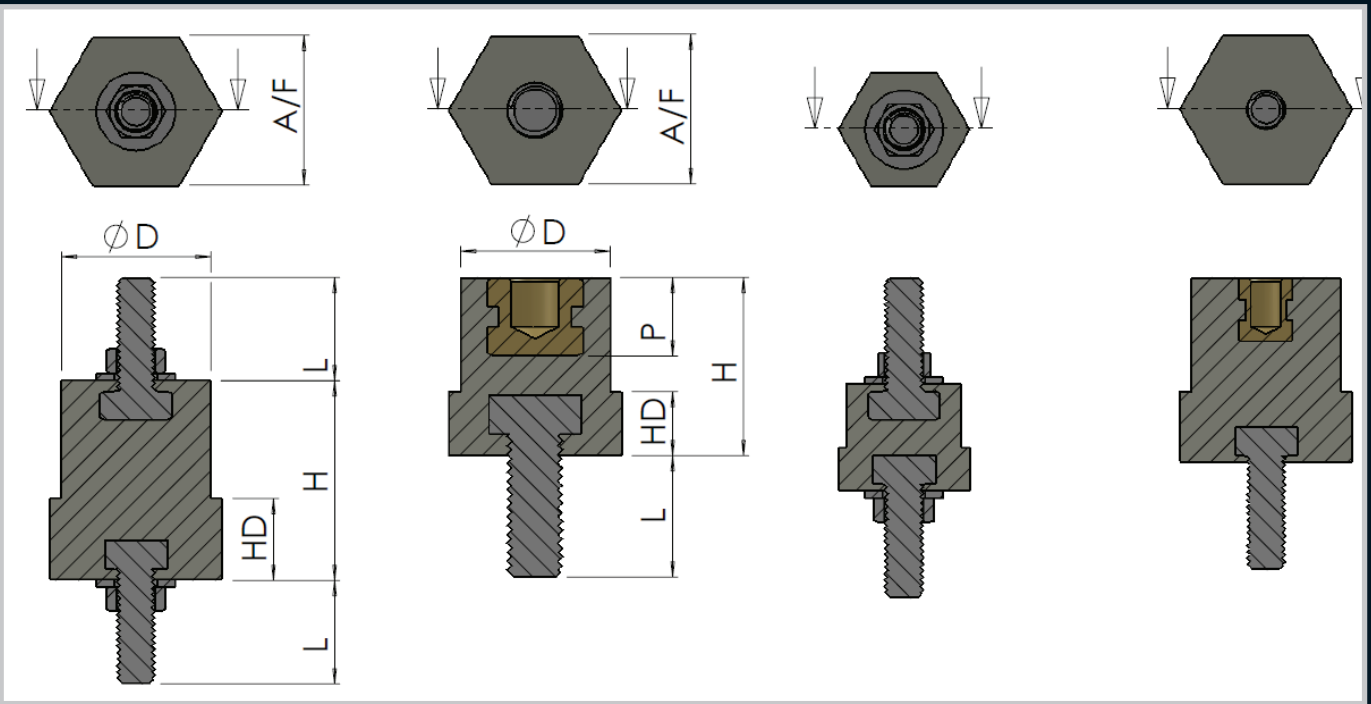
Insulators

Transformer
Equipment

Index



Part Number	Type	Thread Size (mm)	Recommended Torque (N.m)	H (mm)	D (mm)	Hex Depth HD (mm)	Insert Depth P (mm)	Across Flats (mm)	Stud/Insert
050-030	HP-8/W	1,25	10	50	33	10	9	28	M8
050-170	HP-6/8/W	1	6	25	33	10	9	28	M6/M8
050-166	HP-6/8/R	1	6	25	33	10	9	28	M8/M8
050-165	HP-6/8/W	1	6	25	33	10	9	28	M8/M8
050-093	HP-6	1	6	26	20	10	9	21	M6
050-275	HP-6 BK	1	6	26	20	10	9	21	M6



Part Number	Type	Thread Size (mm)	Recommended Torque (N.m)	H (mm)	D (mm)	Hex Depth HD (mm)	Stud Length L (mm)	Insert Depth P (mm)	Across Flats (mm)	Stud/Insert
050-095	HPL-6W	1	6	20	20	10	15	10	21	M6
050-098	HPL-6/8	1/ 1,25	6 / 10	25	20	10	17	11	21	M8 / M8
050-092	HL-5	0,8	4	15	15	6	15	-	16	M5
050-094	HL-6W	1	6	28	20	6	15	-	21	M6

Enclosures

Hinges

Locks

Handles

Accessories

Rotary Operating Handles

Insulators

Transformer Equipment

Index

Enclosures

Hinges

Locks

Handles

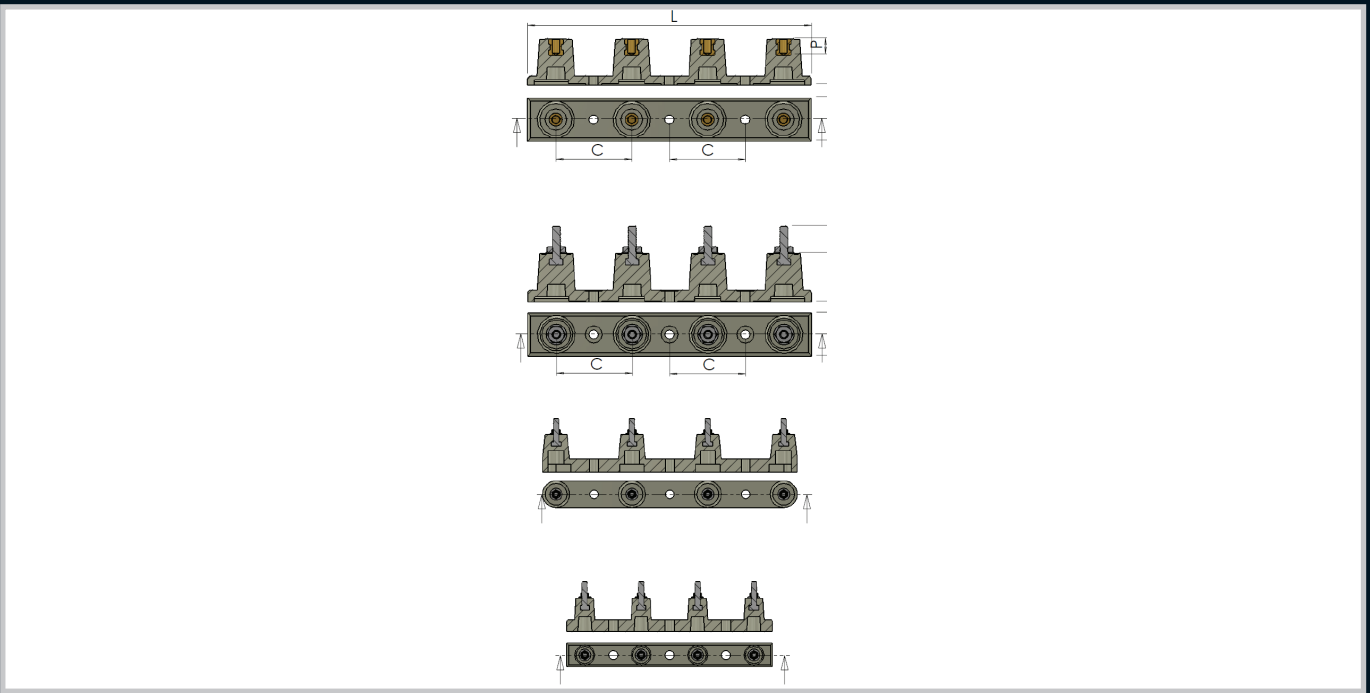
Accessories

Rotary Operating
Handles

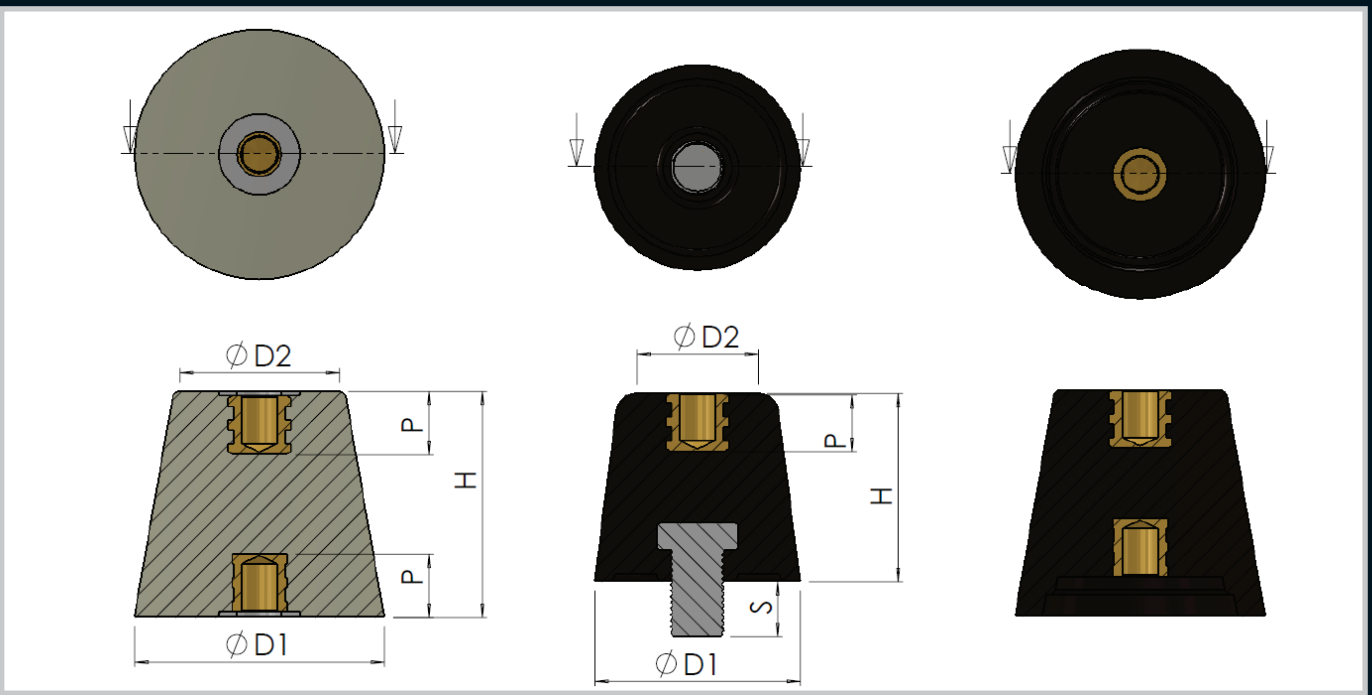
Insulators

Transformer
Equipment

Index



Part Number	Type	Thread Size (mm)	Recommended Torque (N.m)	L (mm)	C (mm)	W (mm)	H (mm)	Stud Length (mm)	Insert Depth P (mm)	Stud/Insert	Hole Diameter (mm)
050-020	IL-6/2	1	6	235	70	25	34	16	-	M6	8
050-021	IL-8	1,25	10	262	70	40	40	25	-	M8	8
050-019	IL-6	1	6	190	52	22	30	15	-	M6	8



Part Number	Type	Thread Size (mm)	Recommended Torque (N.m)	H (mm)	D1 (mm)	D2 (mm)	Stud Length L (mm)	Insert Depth P (mm)	Stud/Insert
050-022	SM-1000	1,75	16	55	60	42	12	12	M12
050-023	SM-2000	1,75	16	60	72	50	-	12	M12
050-024	SM-2000 M12	1,75	16	60	72	50	-	16	M12

Enclosures

Hinges

Locks

Handles

Accessories

Rotary Operating Handles

Insulators

Transformer Equipment

Index

Enclosures

Hinges

Locks

Handles

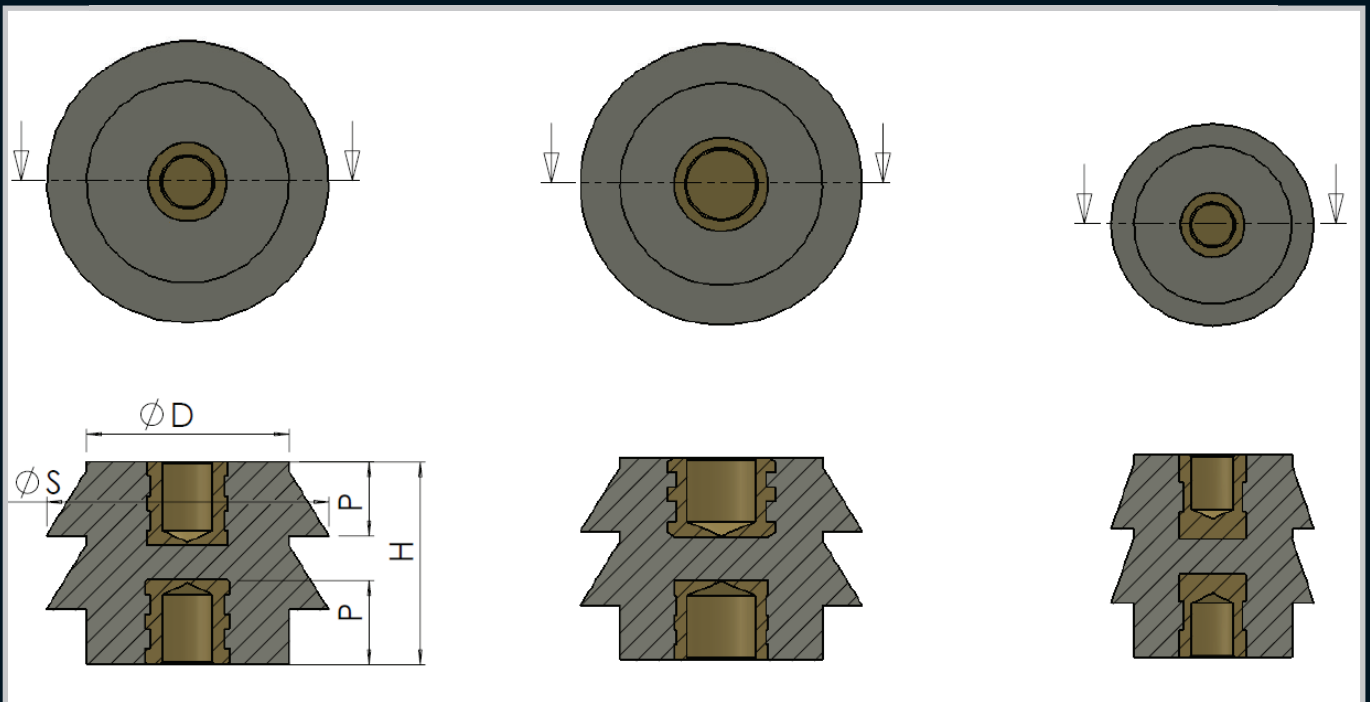
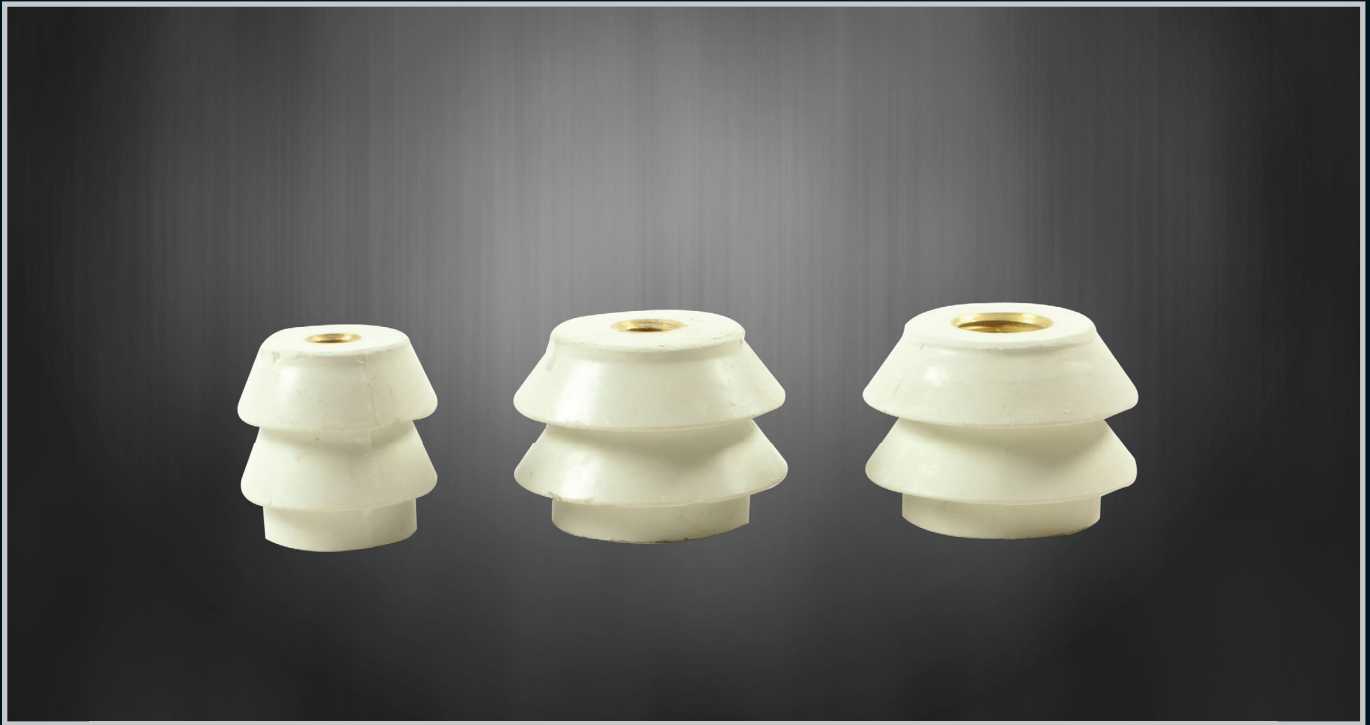
Accessories

Rotary Operating
Handles

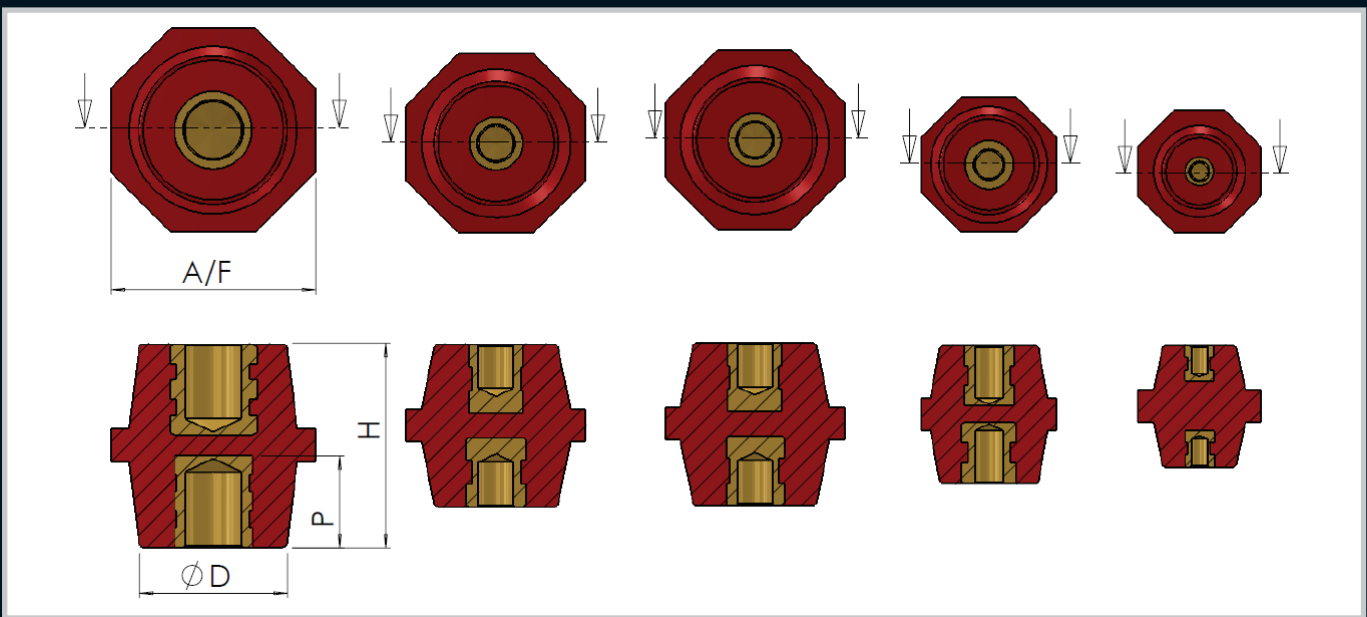
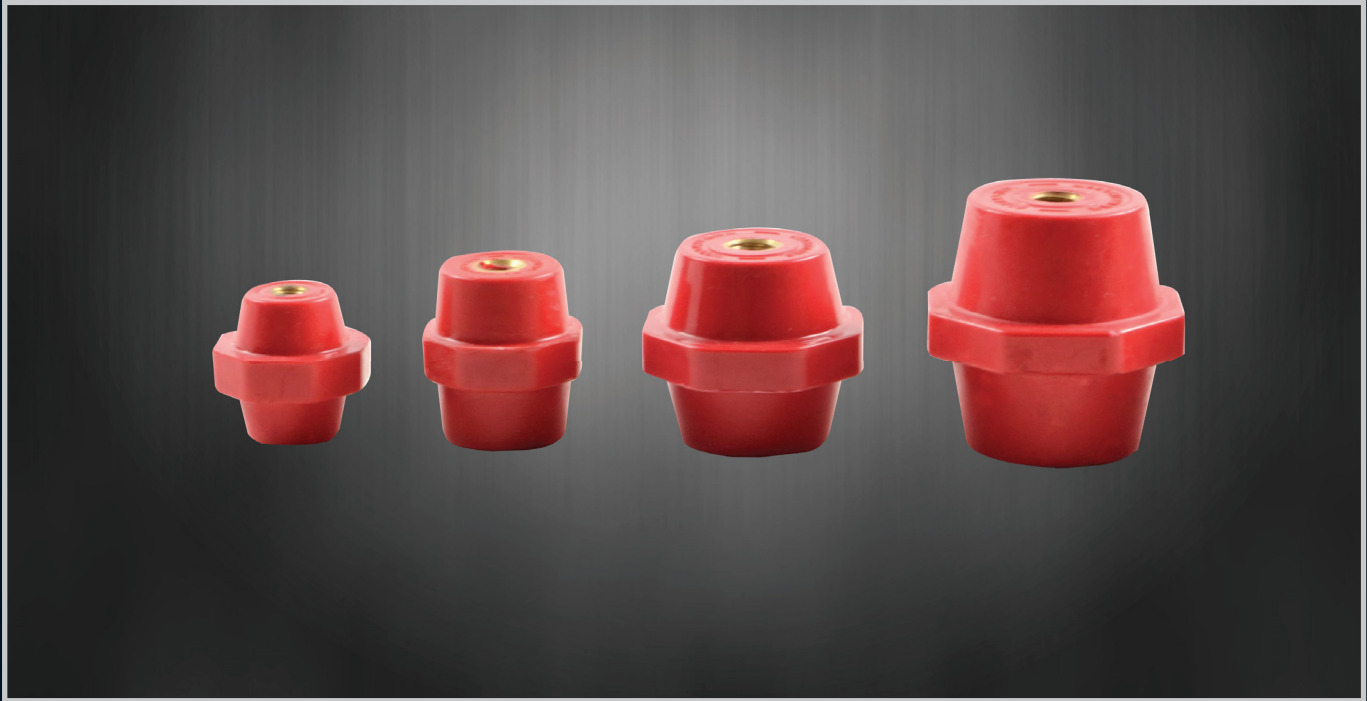
Insulators

Transformer
Equipment

Index



Part Number	Type	Thread Size (mm)	Recommended Torque (N.m)	H (mm)	D (mm)	Shed Diameter S (mm)	Insert Depth P (mm)	Stud/Insert
050-202	WP-10	1,5	12	41	32	41	12	M10
050-203	WP-12/10	1,5 / 1,75	12 / 16	41	41	57	16/12	M10 / M12
050-205	WP-12/10/20	1,75 / 1,5 / 2	16 / 12 / 16	41	41	57	16 / 16 / 22	M10 / M12 / M20



Part Number	Type	Thread Size (mm)	Recommended Torque (N.m)	H (mm)	D (mm)	Across Flats (mm)	Insert Depth P (mm)	Stud/Insert
050-337	OP-6R	1	6	30	20	30	9	M6
050-242	OP-8R	1,25	10	35	25	32	11	M8
050-370	OP-8/10	1,25 / 1,5	10/12	35	25	32	15	M8 / M10
050-359	OP-8/40	1,25	10	40	26	30	10	M8
050-243	OP-10R	1,5	12	40	30	44	12	M10
050-244	OP-12R	1,5	16	50	35	50	16	M12
050-349	OP-12/8	1,25 / 1,75	10 / 16	50	35	50	15	M8 / M12
050-245	OP-12/10	1,5 / 1,75	12 / 16	50	35	50	12	M10 / M12
050-360	OP-13/8	1,25	10	51	29	36	9.5	M8
050-361	OP-13/10	1,5	12	51	28/29	36	11	M10
050-362	OP-14/8	1,25	10	76	35	50	9.5	M8
050-363	OP-14/10	1,5	12	76	35	50	11	M10

Enclosures

Hinges

Locks

Handles

Accessories

Rotary Operating Handles

Insulators

Transformer Equipment

Index

Enclosures

Hinges

Locks

Handles

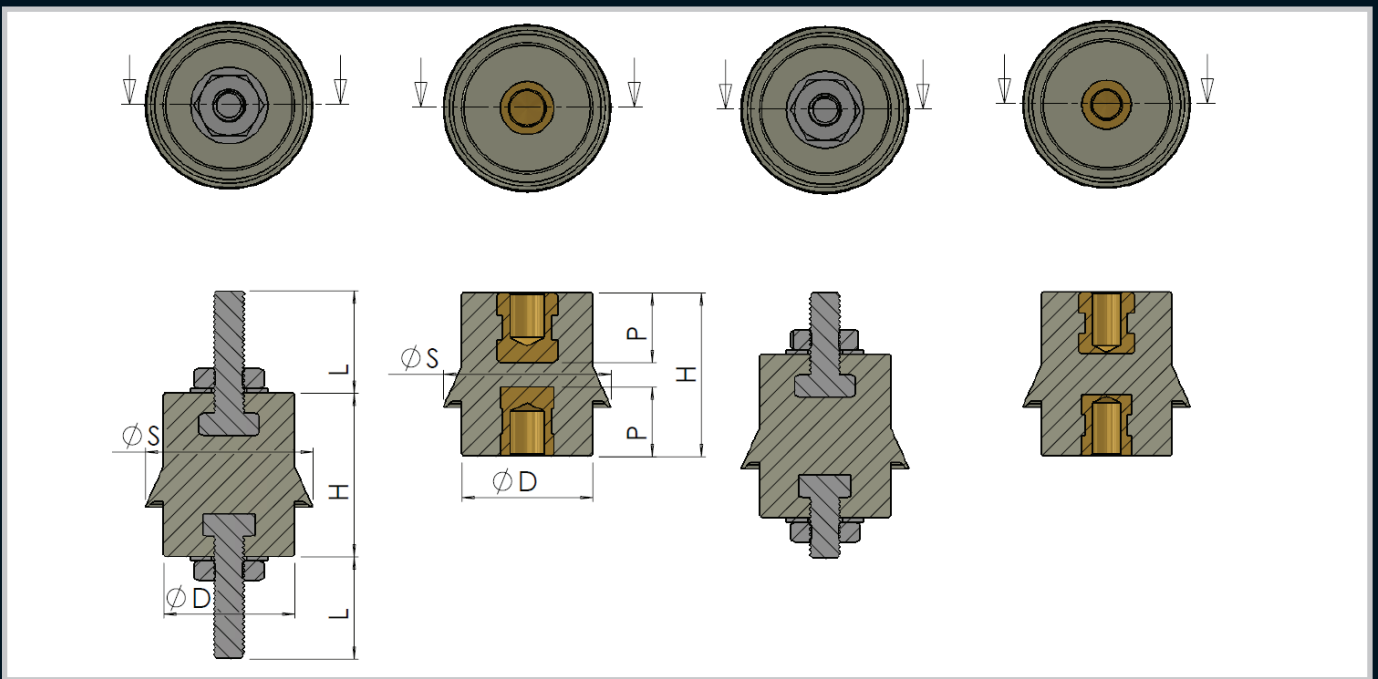
Accessories

Rotary Operating
Handles

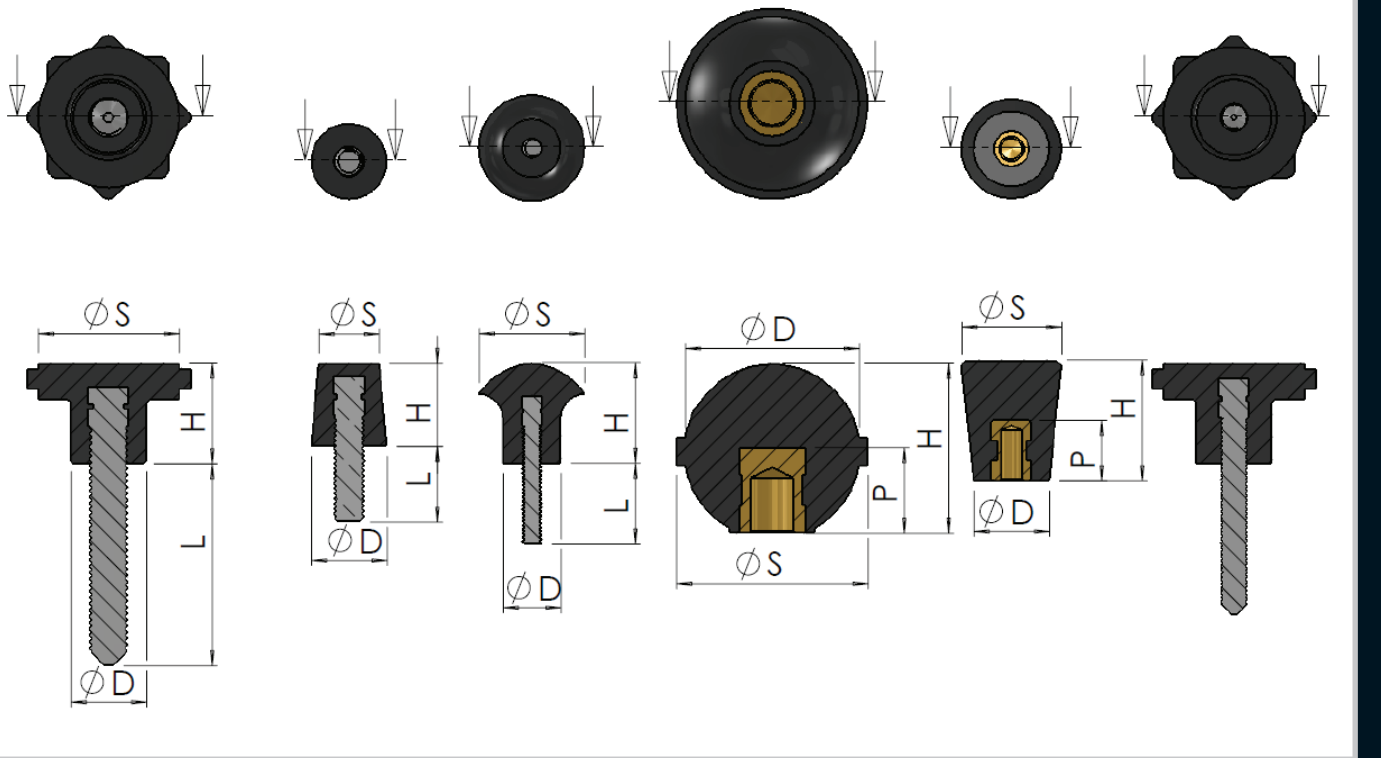
Insulators

Transformer
Equipment

Index



Part Number	Type	Thread Size (mm)	Recommended Torque (N.m)	H (mm)	D (mm)	Shed Diameter (mm)	Stud Length L (mm)	Insert Depth P (mm)	Stud/Insert
050-028	VP-8/W	1,25	10	40	30	41	-	11	M8
050-077	VP-8/R	1,25	10	40	30	41	-	11	M8
050-078	VP-8/BL	1,25	10	40	30	41	-	11	M8
050-079	VP-8/BK	1,25	10	40	30	41	-	11	M8
050-029	VL-8/W	1,25	10	40	30	41	25	-	M8
050-080	VL-8/R	1,25	10	40	30	41	25	-	M8
050-081	VL-8/BL	1,25	10	40	30	41	25	-	M8
050-082	VL-8/BK	1,25	10	40	30	41	25	-	M8
050-224	VP-10/W	1,5	12	40	30	41	-	16	M10



Part Number	Type	Thread Size (mm)	Recommended Torque (N.m)	H (mm)	D (mm)	Shed Diameter S (mm)	Stud Length L (mm)	Insert depth P (mm)	Stud/Insert
020-329	K4	0,7	3	18	12/20	22	15	10	M4
050-239	K6 x 30	1	6	20	15	28	30	-	M6
050-232	K8 x 40	1,25	10	20	15	28	40	-	M8
050-301	K8 x 50	1,25	10	20	15	28	50	-	M8
050-311	K6	1	6	24	15	20	-	12	M6
050-249	K10	1,5	12	34	34	38	-	17	M10

Enclosures

Hinges

Locks

Handles

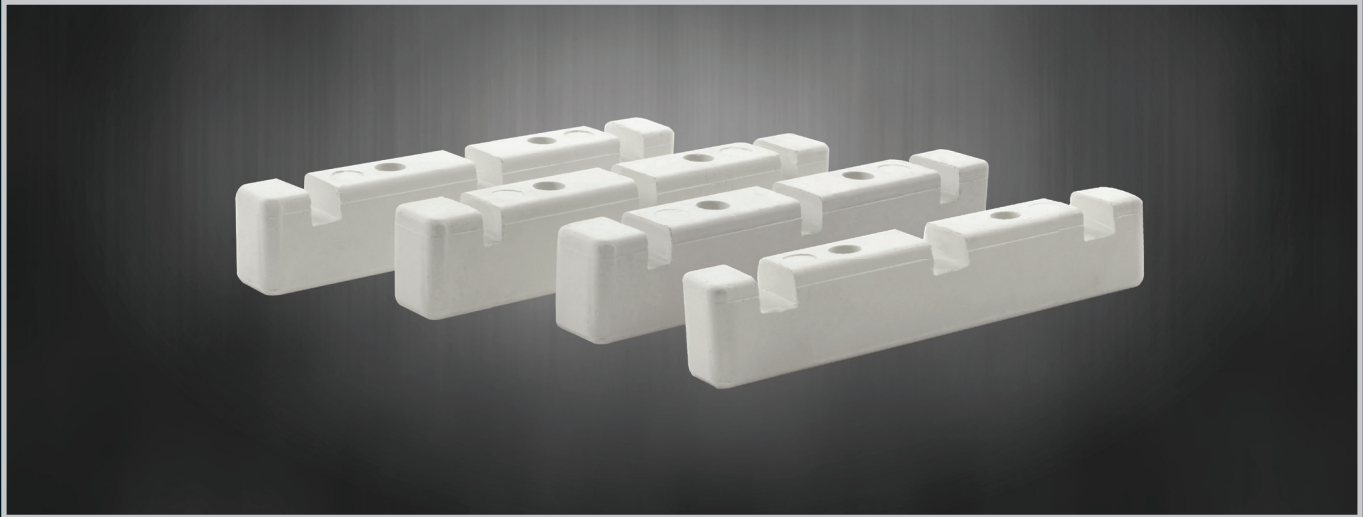
Accessories

Rotary Operating Handles

Insulators

Transformer Equipment

Index



Part Number	Description	No. of Slots / Phase	Size of Slots (mm)	Clamp Holes	Distance between holes (mm)	Hole Diameter (mm)
050-026	3 CEN 7	1	7	2	71	7,6
050-233	3 CEN RAISED 7	1	7	2	71	7,6
050-229	3 CEN 10	1	10	2	71	7,6
050-234	3 CEN RAISED 10	1	10	2	71	7,6
050-230	3 CEN 12	1	12	2	71	7,6
050-235	3 CEN RAISED 12	1	12	2	71	7,6
050-231	3 CEN 14	1	14	2	71	7,6
050-236	3 CEN RAISED 14	1	14	2	71	7,6



Part Number	Description	No. of slots / Phase	Size of Slots (mm)	Clamp Holes	Distance between Holes (mm)	Hole Diameter (mm)
070-049	B/B Supp DRG 441303 A	1	9	2	63,5	8
070-053	B/B Supp DRG 41302 A	1	7	2	63,5	8
070-054	B/B Supp DRG A 441304 REV 2	3	6,5	4	63,5	8
070-055	B/B Supp DRG A 441305 REV 2	3	9	4	63,5	8

Enclosures

Hinges

Locks

Handles

Accessories

Rotary Operating Handles

Insulators

Transformer Equipment

Index

Enclosures

Hinges

Locks

Handles

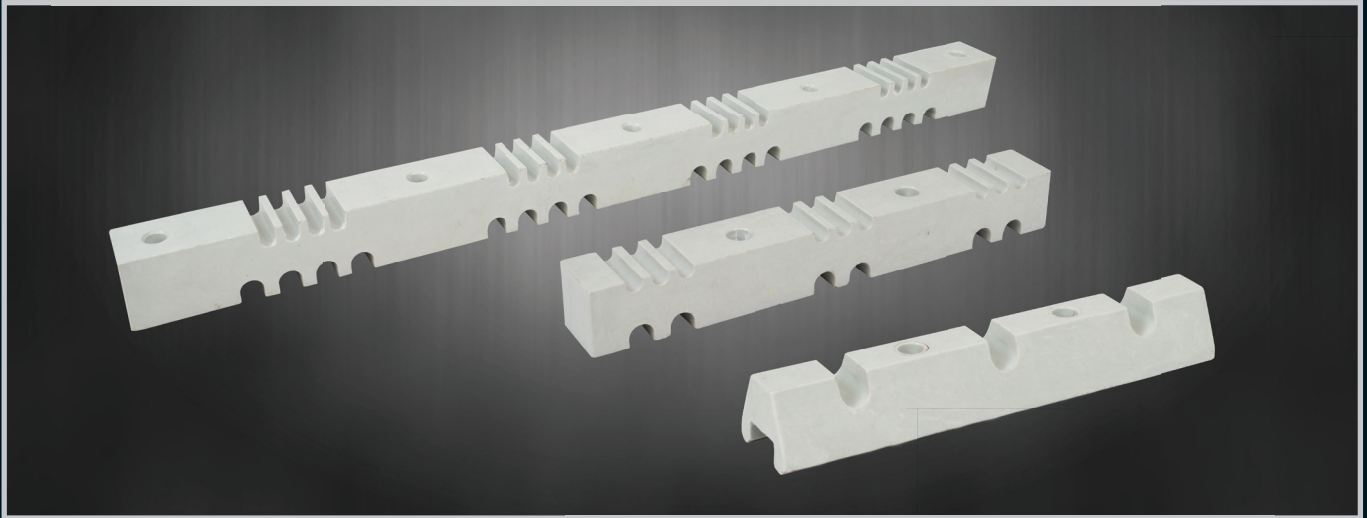
Accessories

Rotary Operating
Handles

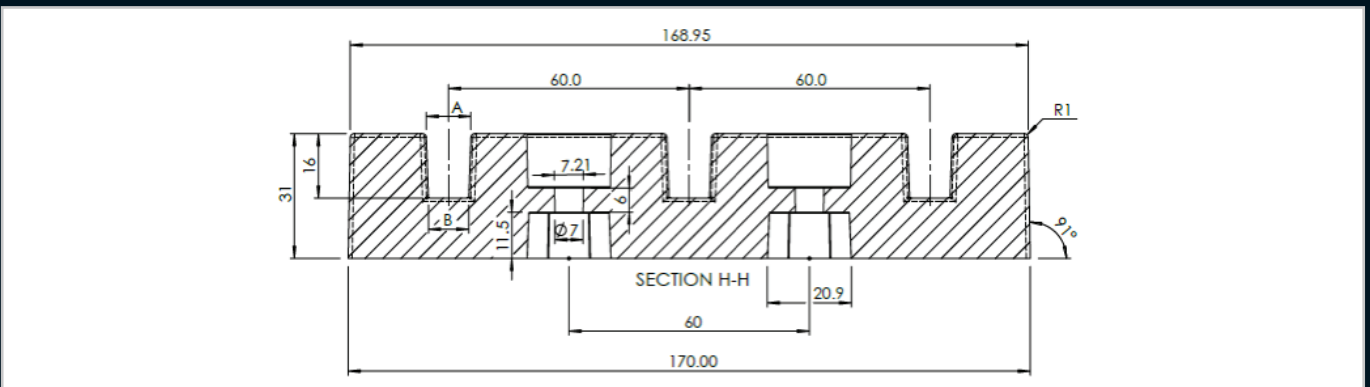
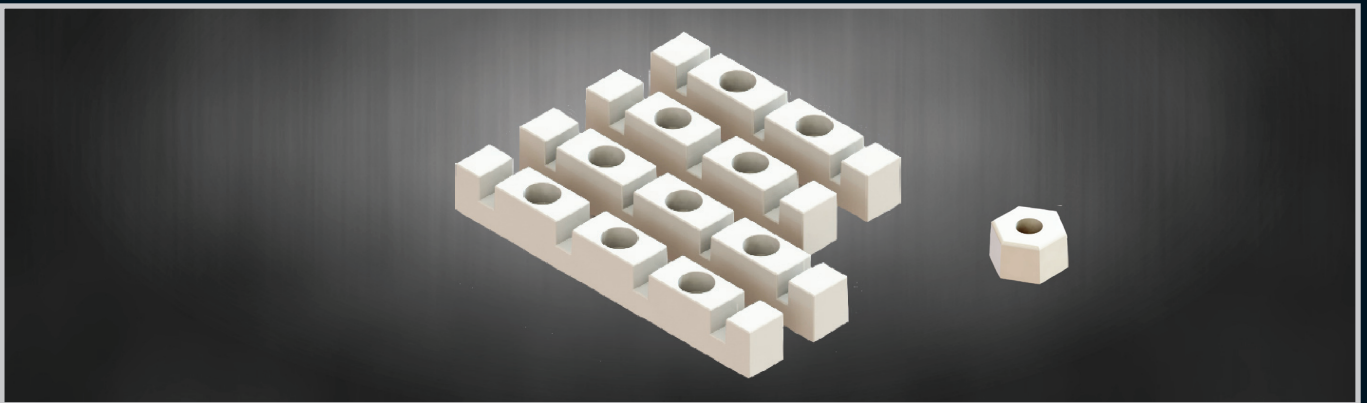
Insulators

Transformer
Equipment

Index



Part Number	Description	No. of Slots / Phase	Size of Slots (mm)	Clamp Holes	Distance between Holes (mm)	Hole Diameter (mm)
050-367	AL180/7mm	3	7	2	65	7,3
050-364	AL180/11mm	3	11	2	65	7,3
050-365	AL270	6 and 9	12.6 and 8	2	100	12,5
050-366	AL600	16 and 16	12.5 and 8	5	140	10,8



Part Number	Description	A (mm)	B (mm)
AB3-6.35	3 Way Busbar Support	7.4	6.35
AB3-10	3 Way Busbar Support	11.08	10
AB4-6.35	4 Way Busbar Support	7.4	6.35
AB4-10	4 Way Busbar Support	11.08	10