

3

Locks

 22.1.018P Pg.88	 22.1.026P Pg.88	 22.1.026P-DB Pg.88	 22.1.12.06-20MM Pg.89	 22.1.18B/B6.18 Pg.89	 22.1.25.18 Pg.89
 22.3.18B/B6.18 Pg.90	 22.1.18B/CS.22 Pg.90	 22.1.18B/C8.22 Pg.91	 22.1.18B/C8S.18 Pg.91	 22.3.18B/C8.18 Pg.92	 22.3.18B/SS6.18 Pg.92
 22.1.18B/SS6.18 Pg.93	 22.1.18B/C8S.18 Pg.94	 22.1.18B/B4D.20 Pg.94	 22.1.18B/C2.18 Pg.93	 22.3.25.W/P Pg.96	 22.3.25.W/K Pg.97
 22.3.28.K/N.B Pg.97	 22.3.25.L/W Pg.97	 22.2.25.B/K Pg.97	 87.2.09.B/K Pg.98	 86.2.29.B/K Pg.98	 86.2.50.B/K Pg.98
 13.05.15 Pg.99	 16.3.38.W/COM Pg.99	 16.3.13.W/K Pg.99	 22.5.28.06 Pg.100	 1010186 Pg.100	 22.1.55.6.COMP Pg.101
 97.10.K Pg.102	 90.114.201 Pg.102	 86.124.30 Pg.103	 72.00.130 Pg.104	 71.1.85B/K Pg.105	 91.1.108C/K Pg.105

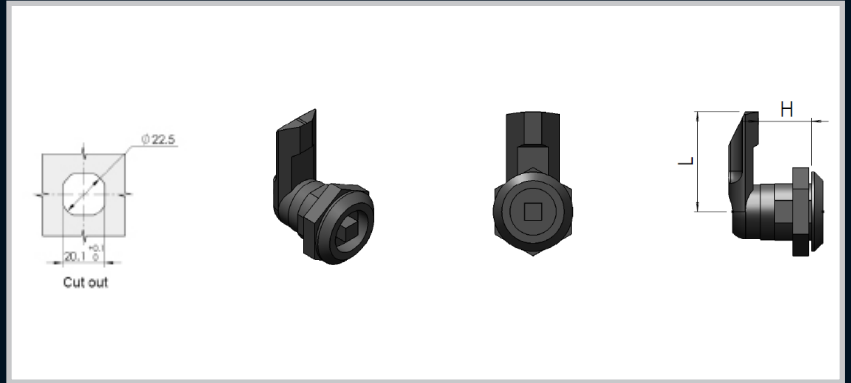
 30.210.10.B/K Pg.106	 35.110.10.B/K Pg.106	 84.1.30.B/K Pg.107	 19.3.112.P Pg.107	 16.1.401.01 Pg.108	 16.1.012.06 Pg.108
 16.3.401.01 Pg.109	 222309 Pg.110	 8.5.271.01N Pg.110	 25.5.201.04 Pg.111	 221000 Pg.111	 1010106/16 Pg.112
 25.65.401.01 Pg.112	 25.65.402.01 Pg.113	 25.65.403.01 Pg.113	 25.A65.270.10 Pg.114	 25.B65.270.10 Pg.114	 222622/20 Pg.115
 222622/20/60066 Pg.115	 222622N/20SS Pg.116	 222628/20/SS Pg.116	 1010175 Pg.117	 22.04.08.1S/S Pg.117	 16.4.432.01/MS/3H Pg.118
 16.4.432.01 Pg.119	 22.4.00.08.1 Pg.119	 20.7.331.01 Pg.120	 10111KZK190 Pg.121	 10111P Pg.121	 10222 Pg.122
 10333 Pg.123	 10444 Pg.124	 FNSH/HOOK Pg.125	 FNSH/65 Pg.125	 50.2.23.P.B/K Pg.125	 150.2.20.B/K Pg.126

 <p>50.4.23.B/P Pg.126</p>	 <p>164.1.50.N/K Pg.126</p>	 <p>145.1.47.CK/RLS Pg.127</p>	 <p>160.1.50.BK/RLS Pg.127</p>	 <p>148.1.109.BK/RLS Pg.128</p>	 <p>44.2.01.K/RLS Pg.128</p>
 <p>50.2.19.B/RL Pg.129</p>	 <p>50.2.165.K/RL Pg.129</p>	 <p>130.1.124CK Pg.130</p>	 <p>120.1.100.ZN/BK Pg.130</p>	 <p>46.3.39.Z/P Pg.130</p>	 <p>49.10.K Pg.131</p>
 <p>49.00.0 Pg.131</p>	 <p>39.1.3B Pg.131</p>	 <p>61.10.2.SS/K Pg.132</p>			

Enclosures



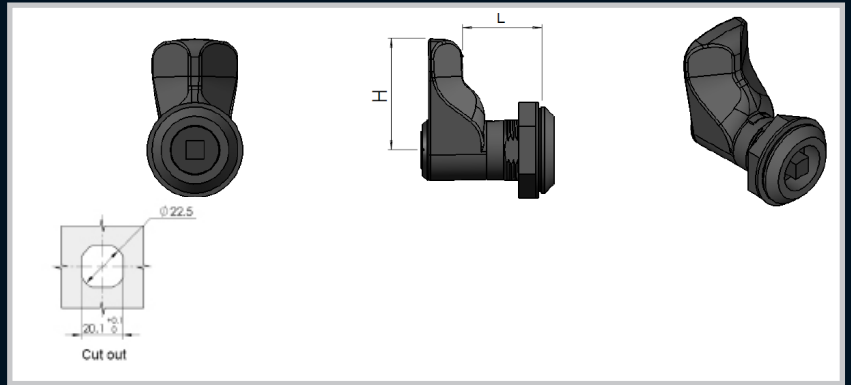
Hinges



Locks

Part Number	Material	Finish	Insert Type	Insert size (mm)	H (mm)	L (mm)
22.1.018P	Polyamide	Black	Square	6	18	35
22.1.015P	Polyamide	Black	Square	6	15	40

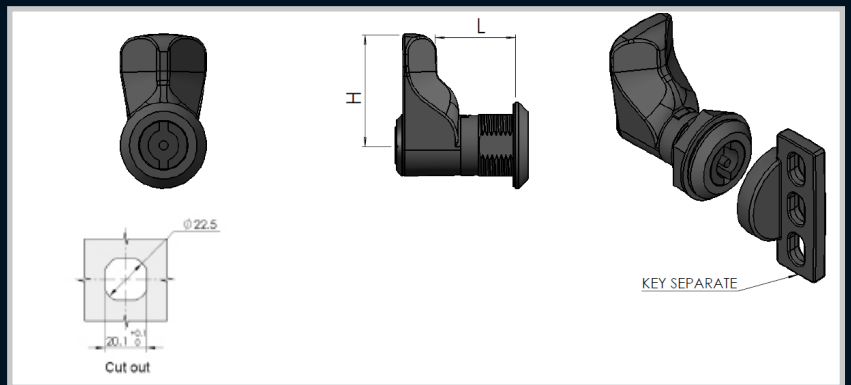
Handles



Accessories

Part Number	Material	Finish	Insert Type	Insert size (mm)	H (mm)	L (mm)
22.1.026P	Polyamide	Black	Square	6	36	26

Rotary Operating Handles



Insulators

Part Number	Material	Finish	Insert Type	Insert size (mm)	H (mm)	L (mm)
22.1.026P/DB	Polyamide	Black	Double Bit	6	36	26

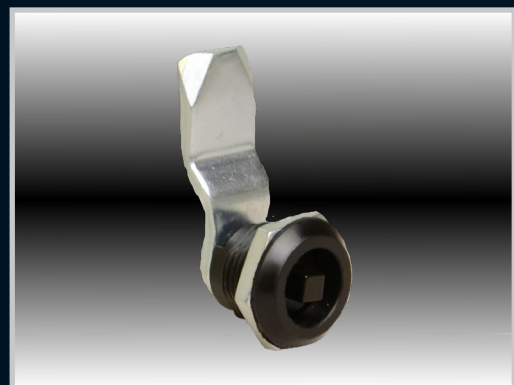
Transformer Equipment

Index

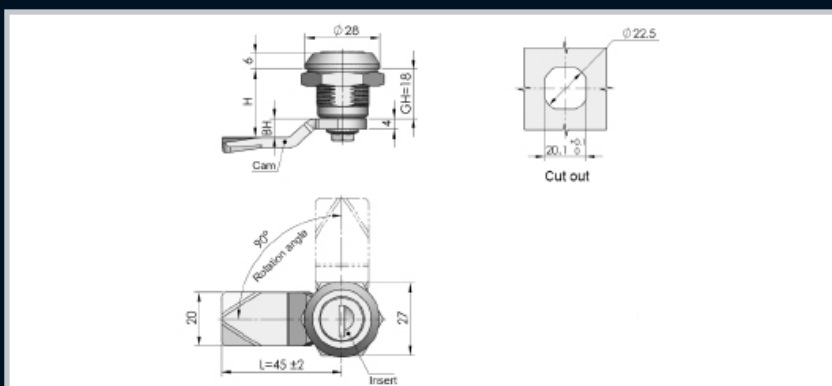


Remarks:
For drive options refer to pages 135,136,137

Part Number	Material	Finish	Insert Type	Insert size (mm)	H (mm)	L (mm)
22.1.12.06	ZDC	Black Powder Coated	Square	6	12	20



Part Number	Material	Finish	Insert Type	Insert size (mm)	H (mm)	L (mm)
22.1.18B/B6.18	ZDC	Black Powder Coated	Square	6	18	45
22.1.18B/B6.20	ZDC	Black Powder Coated	Square	6	20	45
22.1.18B/B6.22	ZDC	Black Powder Coated	Square	6	22	45
22.1.18B/B6.25	ZDC	Black Powder Coated	Square	6	25	45
22.1.18B/B6.36	ZDC	Black Powder Coated	Square	6	36	45
22.1.18B/B6.41	ZDC	Black Powder Coated	Square	6	41	45
22.1.18B/B6.47	ZDC	Black Powder Coated	Square	6	47	45
22.1.18B/B6.50	ZDC	Black Powder Coated	Square	6	50	45



Part Number	Material	Finish	Insert Type	Insert size (mm)
22.1.25.18B/K	ZDC	Black Powder Coated	Slotted	-

Enclosures

Hinges

Locks

Handles

Accessories

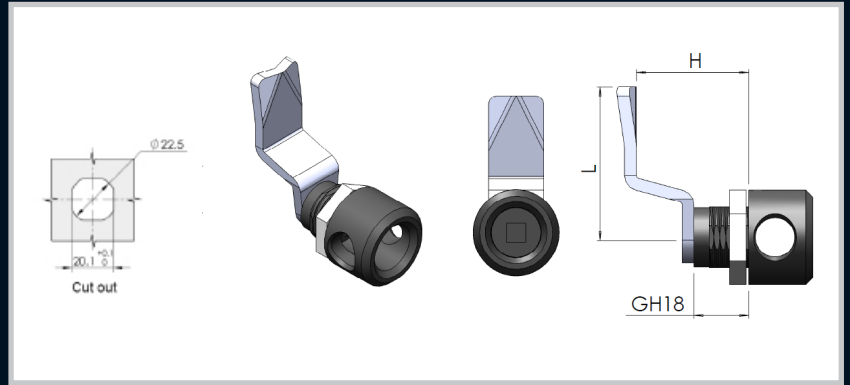
Rotary Operating
Handles

Insulators

Transformer
Equipment

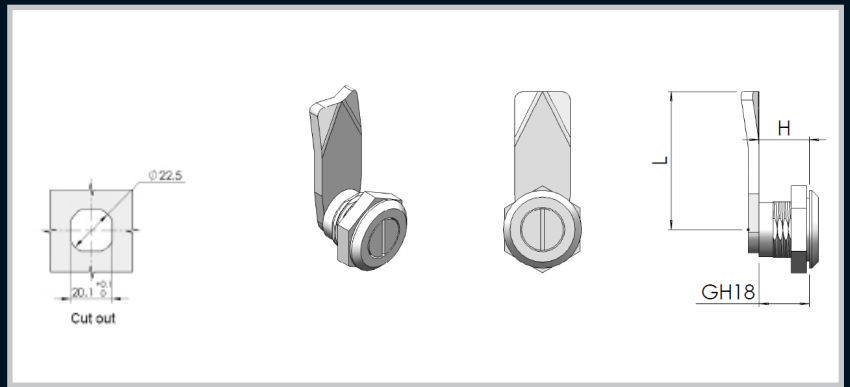
Index

Enclosures
Hinges
Locks
Handles
Accessories
Rotary Operating Handles
Insulators
Transformer Equipment
Index



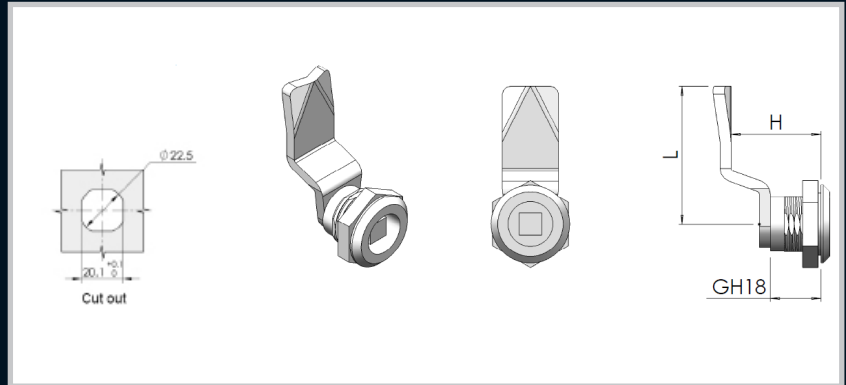
Remarks:
For drive options refer to pages 135,136,137

Part Number	Material	Finish	Insert Type	Insert size (mm)	H (mm)	L (mm)
22.3.18B/B6.18	ZDC	Black Powder Coated	Square	6	18	45
22.3.18B/B6.20	ZDC	Black Powder Coated	Square	6	20	45
22.3.18B/B6.22	ZDC	Black Powder Coated	Square	6	22	45
22.3.18B/B6.25	ZDC	Black Powder Coated	Square	6	25	45
22.3.18B/B6.36	ZDC	Black Powder Coated	Square	6	36	45
22.3.18B/B6.41	ZDC	Black Powder Coated	Square	6	41	45
22.3.18B/B6.47	ZDC	Black Powder Coated	Square	6	47	45
22.3.18B/B6.50	ZDC	Black Powder Coated	Square	6	50	45



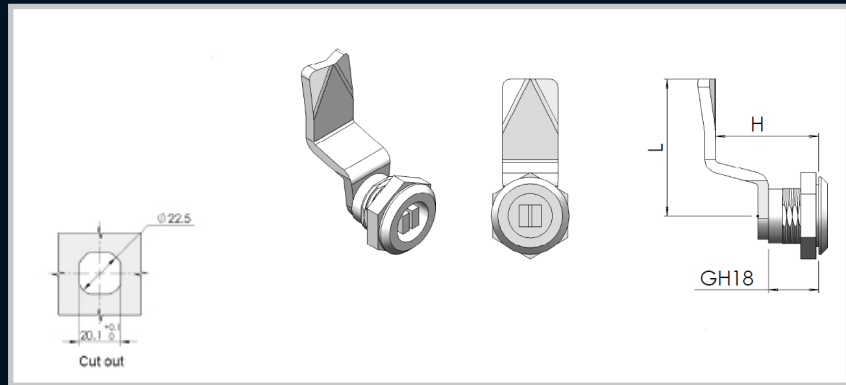
Remarks:
Available in chrome and black.
For drive options refer to pages 135,136,137

Part Number	Material	Finish	Insert Type	Insert size (mm)	H (mm)	L (mm)
22.1.18B/CS.18	ZDC	Chrome	Slotted	-	18	45
22.1.18B/CS.20	ZDC	Chrome	Slotted	-	20	45
22.1.18B/CS.22	ZDC	Chrome	Slotted	-	22	45
22.1.18B/CS.25	ZDC	Chrome	Slotted	-	25	45
22.1.18B/CS.36	ZDC	Chrome	Slotted	-	36	45
22.1.18B/CS.41	ZDC	Chrome	Slotted	-	41	45
22.1.18B/CS.47	ZDC	Chrome	Slotted	-	47	45
22.1.18B/CS.50	ZDC	Chrome	Slotted	-	50	45



Remarks:
Available in chrome and black.
For drive options refer to pages 135,136,137

Part Number	Material	Finish	Insert Type	Insert size (mm)	H (mm)	L (mm)
22.1.18B/C8.18	ZDC	Chrome	Square	6,7 or 8	18	45
22.1.18B/C8.20	ZDC	Chrome	Square	6,7 or 8	20	45
22.1.18B/C8.22	ZDC	Chrome	Square	6,7 or 8	22	45
22.1.18B/C8.25	ZDC	Chrome	Square	6,7 or 8	25	45
22.1.18B/C8.36	ZDC	Chrome	Square	6,7 or 8	36	45
22.1.18B/C8.41	ZDC	Chrome	Square	6,7 or 8	41	45
22.1.18B/C8.47	ZDC	Chrome	Square	6,7 or 8	47	45
22.1.18B/C8.50	ZDC	Chrome	Square	6,7 or 8	50	45



Remarks:
Quick assembly with 8mm square drive and coin slot combination.
Available in chrome and black.
For drive options refer to page 135,136,137

Part Number	Material	Finish	Insert Type	Insert size (mm)	H (mm)	L (mm)
22.1.18B/C8S.18	ZDC	Chrome	Square Slotted	8	18	45
22.1.18B/C8S.20	ZDC	Chrome	Square Slotted	8	20	45
22.1.18B/C8S.22	ZDC	Chrome	Square Slotted	8	22	45
22.1.18B/C8S.25	ZDC	Chrome	Square Slotted	8	25	45
22.1.18B/C8S.36	ZDC	Chrome	Square Slotted	8	36	45
22.1.18B/C8S.41	ZDC	Chrome	Square Slotted	8	41	45
22.1.18B/C8S.47	ZDC	Chrome	Square Slotted	8	47	45
22.1.18B/C8S.50	ZDC	Chrome	Square Slotted	8	50	45

Enclosures

Hinges

Locks

Handles

Accessories

Rotary Operating Handles

Insulators

Transformer Equipment

Index

Enclosures

Hinges

Locks

Handles

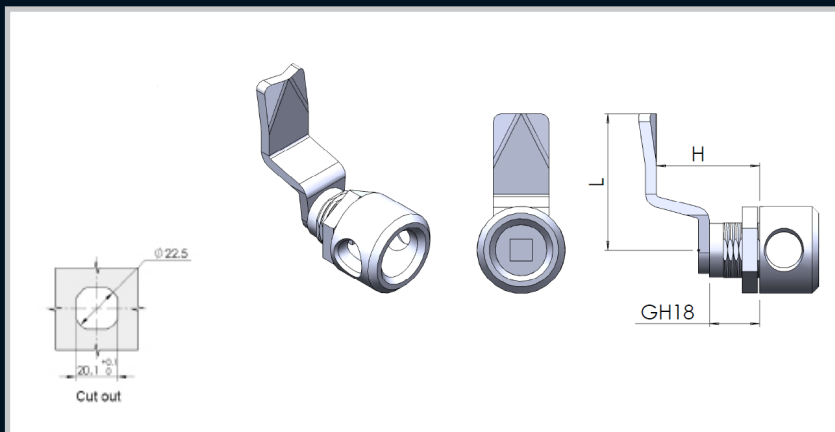
Accessories

Rotary Operating
Handles

Insulators

Transformer
Equipment

Index



Remarks:

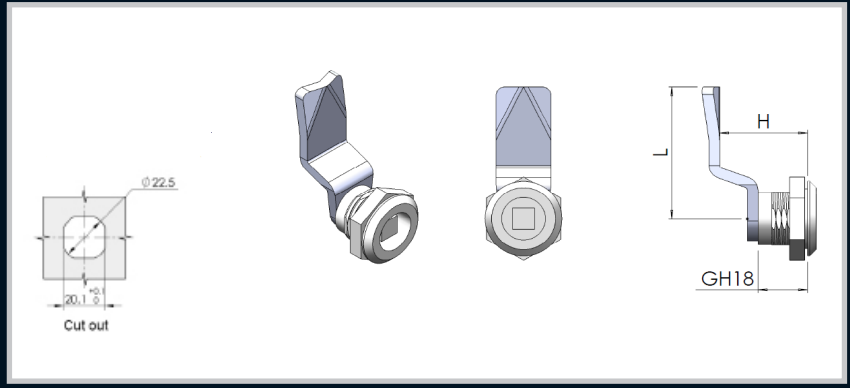
Quick assembly quarter turn with a 8 mm and 6mm slotted drive.

For drive options refer to pages 135,136,137

Part Number	Material	Finish	Insert Type	Insert size (mm)	H (mm)	L (mm)
22.3.18B/SS6.18	Stainless Steel	Natural	Slotted	6	18	45
22.3.18B/SS6.20	Stainless Steel	Natural	Slotted	6	20	45
22.3.18B/SS6.22	Stainless Steel	Natural	Slotted	6	22	45
22.3.18B/SS6.25	Stainless Steel	Natural	Slotted	6	25	45
22.3.18B/SS6.36	Stainless Steel	Natural	Slotted	6	36	45
22.3.18B/SS6.41	Stainless Steel	Natural	Slotted	6	41	45
22.3.18B/SS6.47	Stainless Steel	Natural	Slotted	6	47	45
22.3.18B/SS6.50	Stainless Steel	Natural	Slotted	6	50	45
22.3.18B/SS8.18	Stainless Steel	Natural	Slotted	8	18	45
22.3.18B/SS8.20	Stainless Steel	Natural	Slotted	8	20	45
22.3.18B/SS8.22	Stainless Steel	Natural	Slotted	8	22	45
22.3.18B/SS8.25	Stainless Steel	Natural	Slotted	8	25	45
22.3.18B/SS8.36	Stainless Steel	Natural	Slotted	8	36	45
22.3.18B/SS8.41	Stainless Steel	Natural	Slotted	8	41	45
22.3.18B/SS8.47	Stainless Steel	Natural	Slotted	8	47	45
22.3.18B/SS8.50	Stainless Steel	Natural	Slotted	8	50	45



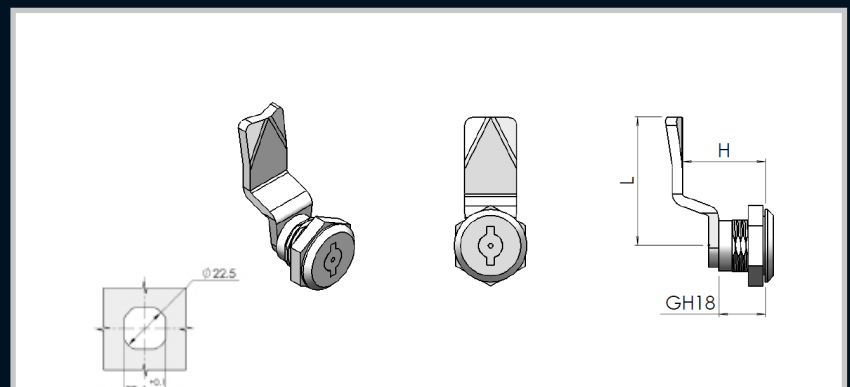
Remarks:
316 Stainless Steel
For drive options refer to pages 135,136,137



Part Number	Material	Finish	Insert Type	Insert size (mm)	H (mm)	L (mm)
22.1.18B/SS6.18	Stainless Steel	Natural	6	Square	18	45
22.1.18B/SS6.20	Stainless Steel	Natural	6	Square	20	45
22.1.18B/SS6.22	Stainless Steel	Natural	6	Square	22	45
22.1.18B/SS6.25	Stainless Steel	Natural	6	Square	25	45
22.1.18B/SS6.36	Stainless Steel	Natural	6	Square	36	45
22.1.18B/SS6.41	Stainless Steel	Natural	6	Square	41	45
22.1.18B/SS6.47	Stainless Steel	Natural	6	Square	47	45
22.1.18B/SS6.50	Stainless Steel	Natural	6	Square	50	45
22.1.18B/SS8.18	Stainless Steel	Natural	8	Square	18	45
22.1.18B/SS8.20	Stainless Steel	Natural	8	Square	20	45
22.1.18B/SS8.22	Stainless Steel	Natural	8	Square	22	45
22.1.18B/SS8.25	Stainless Steel	Natural	8	Square	25	45
22.1.18B/SS8.36	Stainless Steel	Natural	8	Square	36	45
22.1.18B/SS8.41	Stainless Steel	Natural	8	Square	41	45
22.1.18B/SS8.47	Stainless Steel	Natural	8	Square	47	45
22.1.18B/SS8.50	Stainless Steel	Natural	8	Square	50	45



Remarks:
Spring Loaded Quarter Turn Lock IP 65



Part Number	Material	Finish	Insert Type	Insert size (mm)	H (mm)	L (mm)
22.1.18B/C2.18	Chrome	Natural	Double Bit	6	18	45
22.1.18B/C2.20	Chrome	Natural	Double Bit	6	20	45
22.1.18B/C2.25	Chrome	Natural	Double Bit	6	25	45
22.1.18B/C2.30	Chrome	Natural	Double Bit	6	30	45

Enclosures

Hinges

Locks

Handles

Accessories

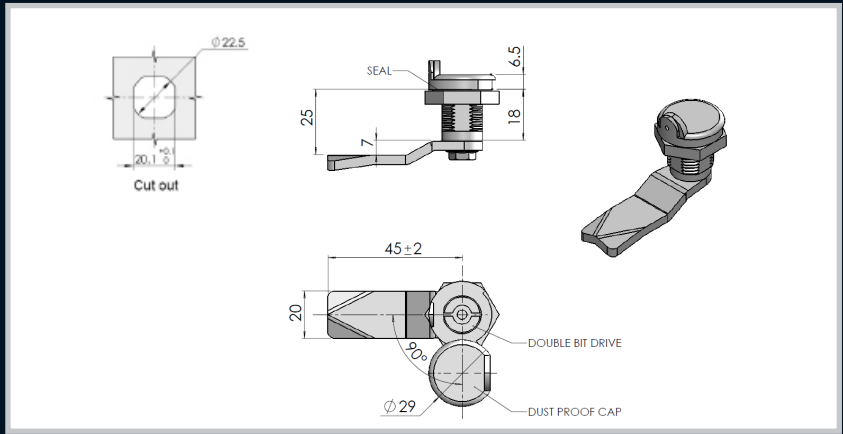
Rotary Operating Handles

Insulators

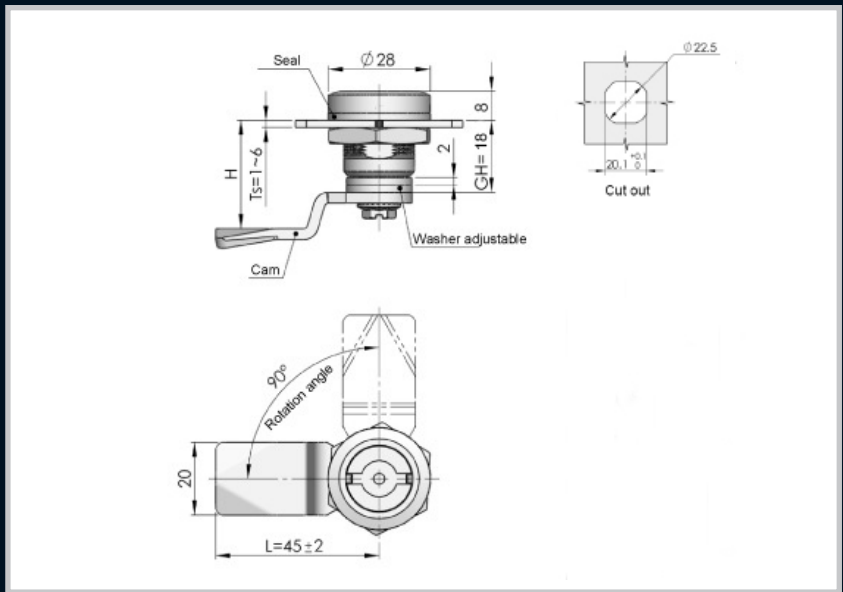
Transformer Equipment

Index

Enclosures
Hinges
Locks
Handles
Accessories
Rotary Operating Handles
Insulators
Transformer Equipment
Index



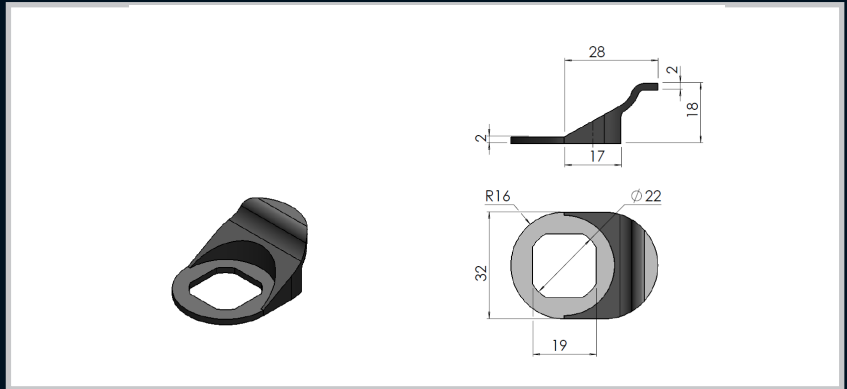
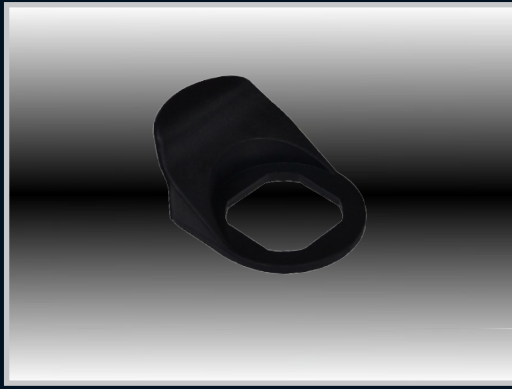
Part Number	Material	Finish	Insert Type	Insert size (mm)
22.6.18B/C8S.18	Chrome	Natural	Double Bit	8
22.6.18B/C8S.20	Chrome	Natural	Double Bit	8
22.6.18B/C8S.22	Chrome	Natural	Double Bit	8
22.6.18B/C8S.25	Chrome	Natural	Double Bit	8
22.6.18B/C8S.36	Chrome	Natural	Double Bit	8
22.6.18B/C8S.41	Chrome	Natural	Double Bit	8
22.6.18B/C8S.47	Chrome	Natural	Double Bit	8
22.6.18B/C8S.50	Chrome	Natural	Double Bit	8



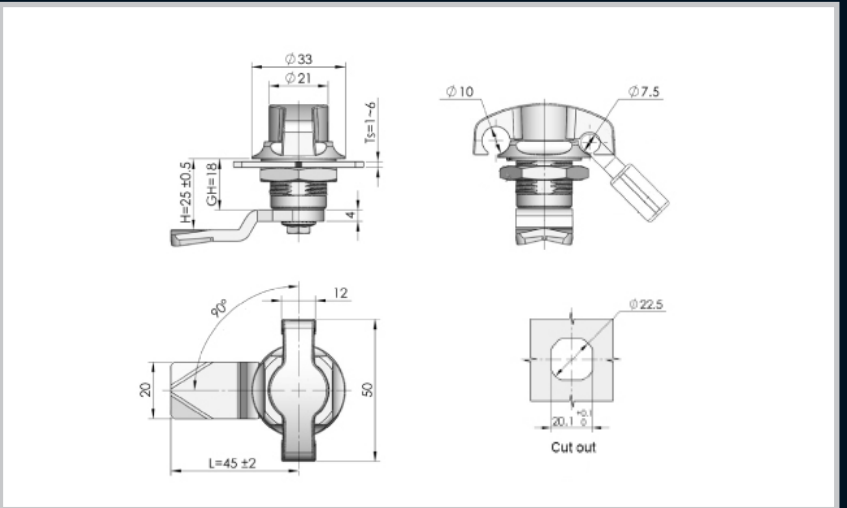
Remarks:
Padlockable version also available.
Please refer to pages 135,136,137 for more drive options.

Part Number	Material	Finish	Insert Type	Insert size (mm)
22.1.18B/B4D.20	ZDC	Black P/C	Double Bit	4
22.1.18B/B4D.25	ZDC	Black P/C	Double Bit	4
22.1.18B/B4D.36	ZDC	Black P/C	Double Bit	4
22.1.18B/B4D.41	ZDC	Black P/C	Double Bit	4

Part Number	Material	Finish	Insert Type	Insert size (mm)
22.1.18B/B8T.20	ZDC	Black P/C	Triangular	8
22.1.18B/B8T.25	ZDC	Black P/C	Triangular	8
22.1.18B/B8T.36	ZDC	Black P/C	Triangular	8
22.1.18B/B8T.41	ZDC	Black P/C	Triangular	8



Part Number	Description
FP.22	PA Finger pull to suite 22 series locks and compression latches



Part Number	Description
22.3.25W/P	Padlockable wing knob

Enclosures

Hinges

Locks

Handles

Accessories

Rotary Operating
Handles

Insulators

Transformer
Equipment

Index

Enclosures

Hinges

Locks

Handles

Accessories

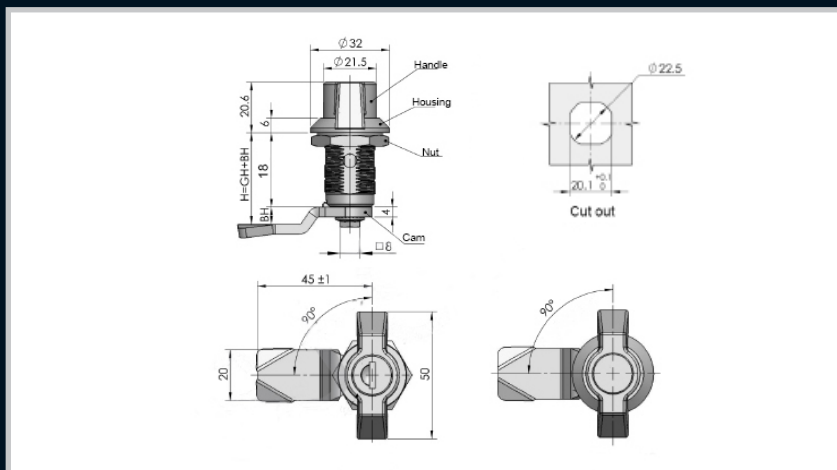
Rotary Operating Handles

Insulators

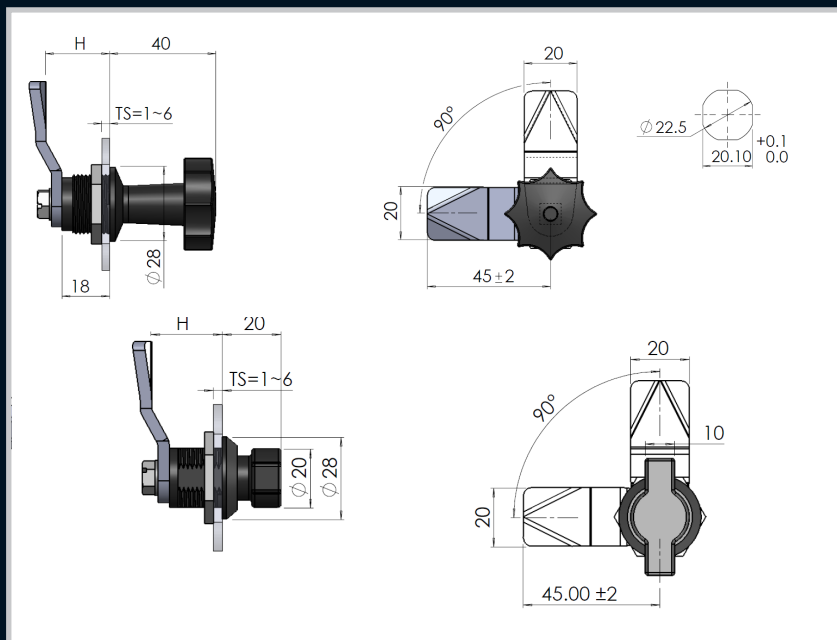
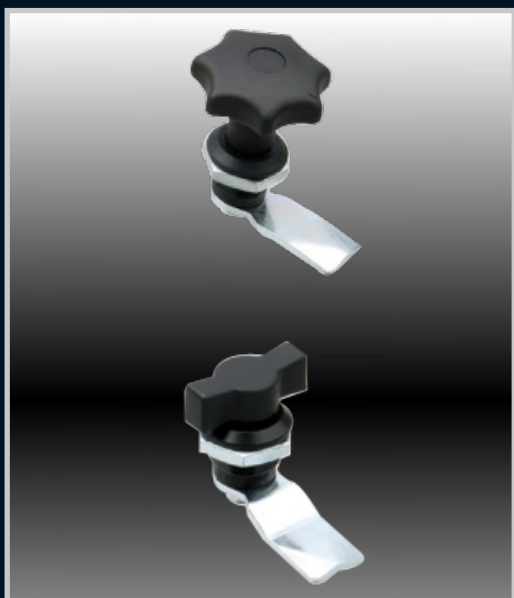
Transformer Equipment

Index

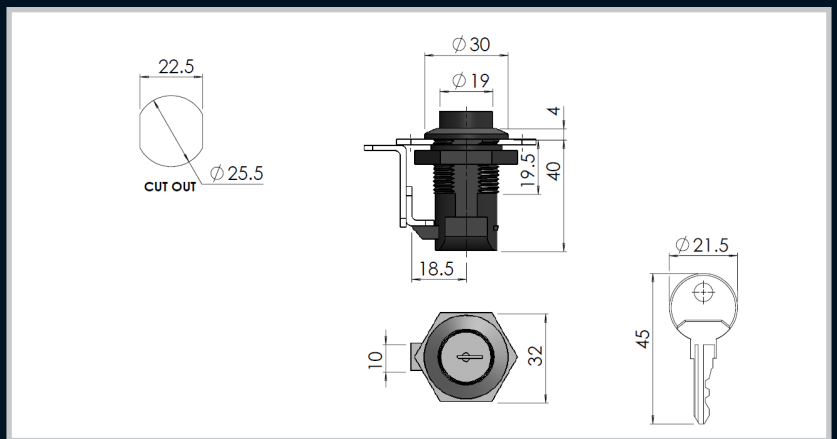
Wing Knob



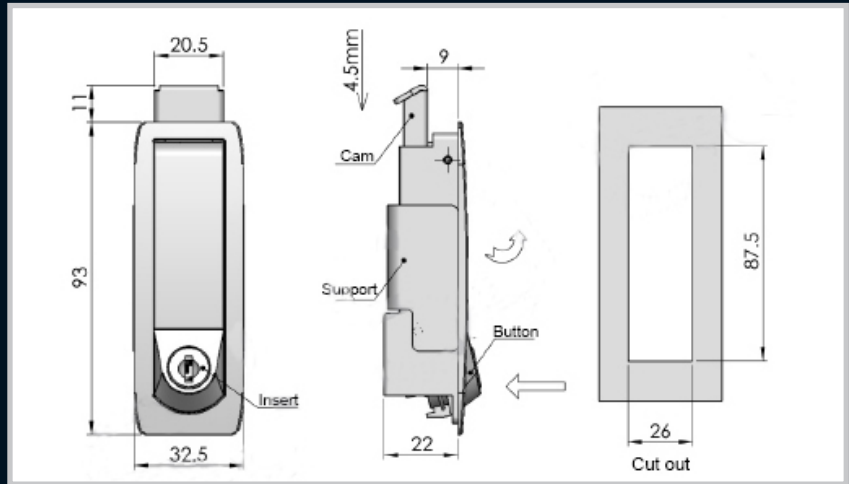
Part Number	Description
22.3.25.W/K	Key Lockable wing knob



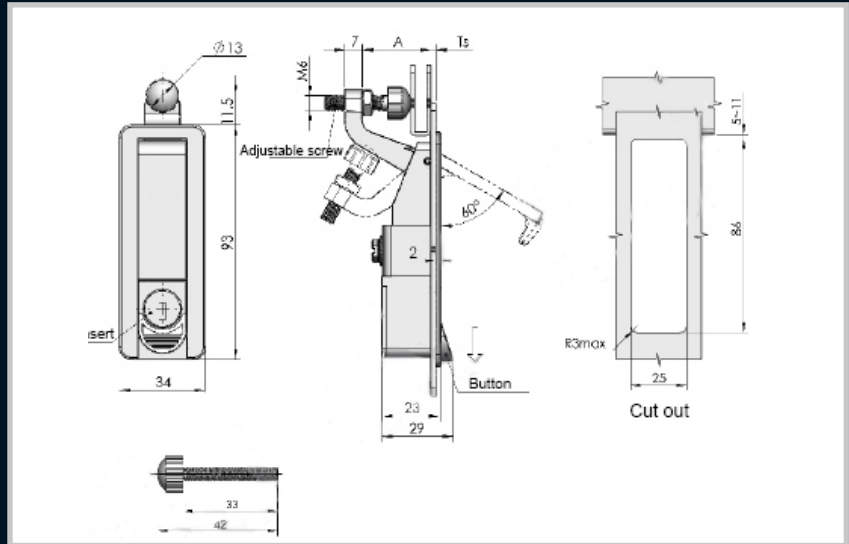
Part Number	Description
22.3.28.K/N.B	Knob handle
22.3.25.L/W	Quarter-turn wing knob , Large



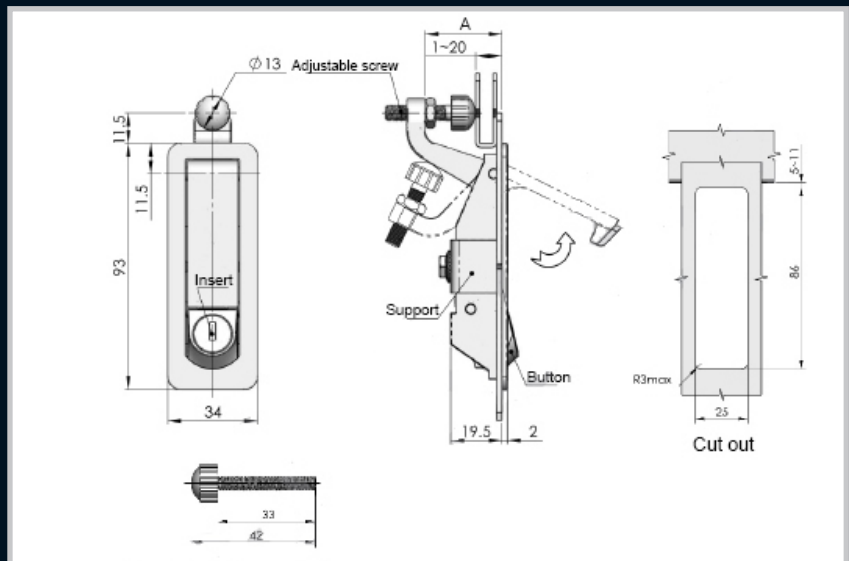
Part Number	Description
22.2.25B/K	Push Button Latch Lockable



Part Number	Description
87.2.09B/K	Key lockable push button handle. Sand blast black



Part Number	Description
86.2.29B/K	Key lockable push handle with adjustable depth, black powder coated



Part Number	Description
86.2.50.B/K	Key lockable push handle with adjustable depth, black powder coated

Enclosures

Hinges

Locks

Handles

Accessories

Rotary Operating
Handles

Insulators

Transformer
Equipment

Index

Enclosures

Hinges

Locks

Handles

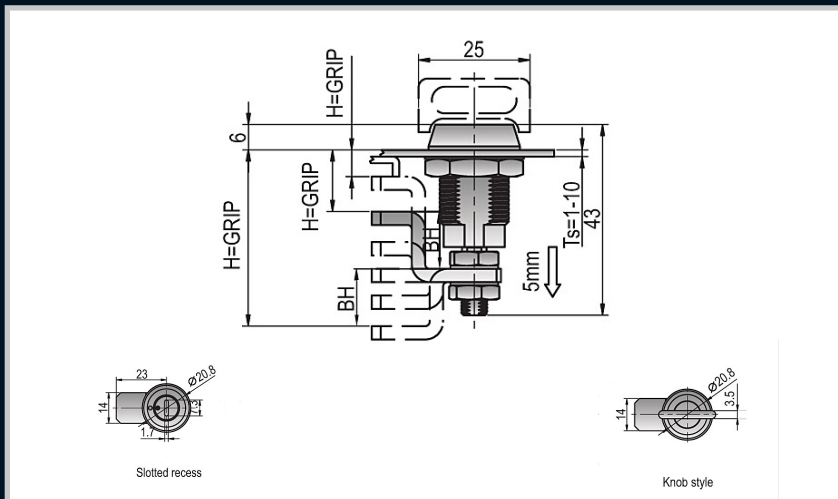
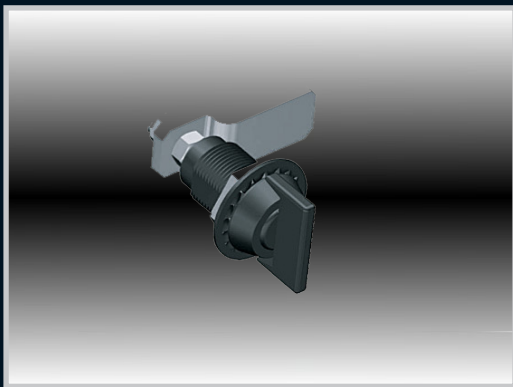
Accessories

Rotary Operating Handles

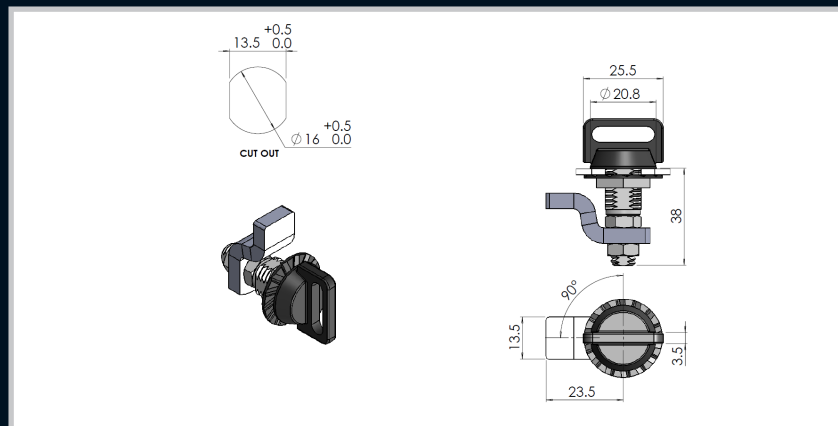
Insulators

Transformer Equipment

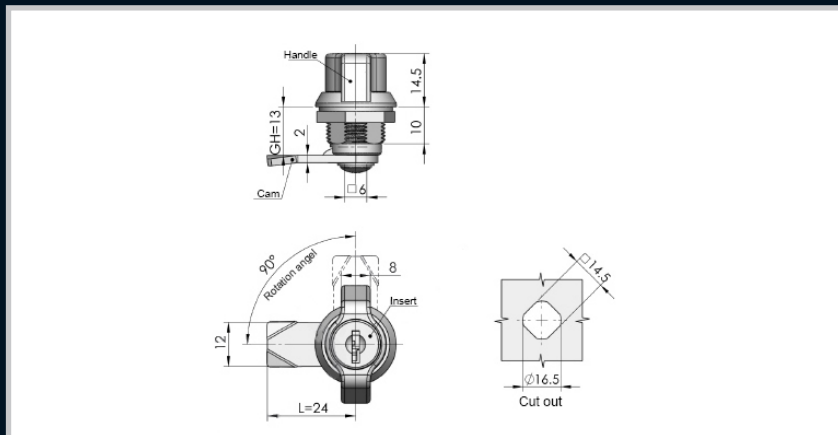
Index



Grip Range	Part Number Slotted Recess	Part Number Knob Style
3.2-6.4	13.05.15	13.08.15
6.4-9.5	13.05.25	13.08.25
9.5-12.7	13.05.35	13.08.35
12.7-15.9	13.05.45	13.08.45
15.9-19	13.05.55	13.08.55
19-22.2	13.05.65	13.08.65
22.2-25.4	13.05.75	13.08.75
25.4-28.6	13.05.85	13.08.85



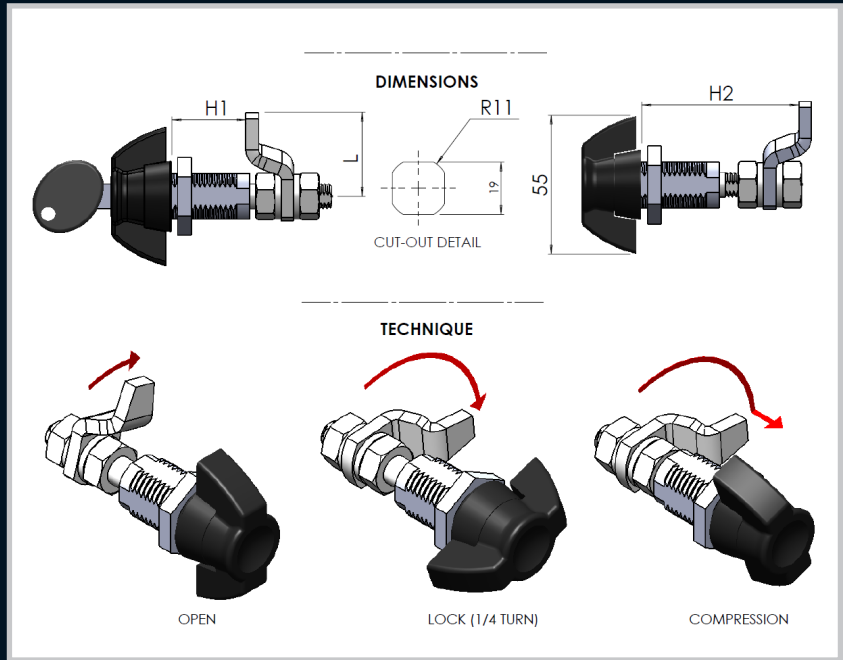
Part Number	Description
16.3.38.W/COM	Wing knob compression latch



Part Number	Description
16.3.13W/K	Key Lockable wing knob



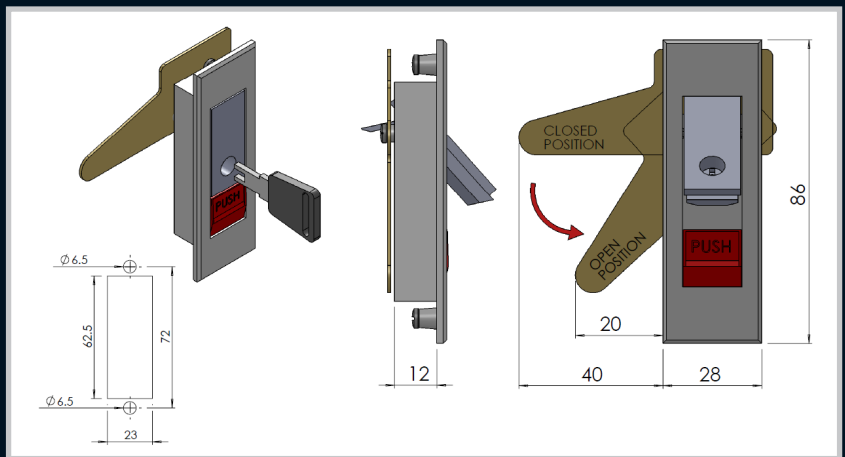
Remarks:
 Compression latch with 6mm compression and adjustable grip range. Available in key lockable and non-lockable.



Part Number	Description	H1 (mm)	H2 (mm)	L (mm)
22.5.28.06	ZDC Black powder coated wing knob, ZDC body and MS cam	30	65	33
22.5.28.06K (LOCKABLE)	ZDC Black powder coated wing knob, ZDC body and MS cam	30	65	33



Remarks:
 Quick release flush lever lock.



Part Number	Description
1010186	ZDC housing and insert PA button and MS cam.

Enclosures

Hinges

Locks

Handles

Accessories

Rotary Operating Handles

Insulators

Transformer Equipment

Index

Enclosures

Hinges

Locks

Handles

Accessories

Rotary Operating Handles

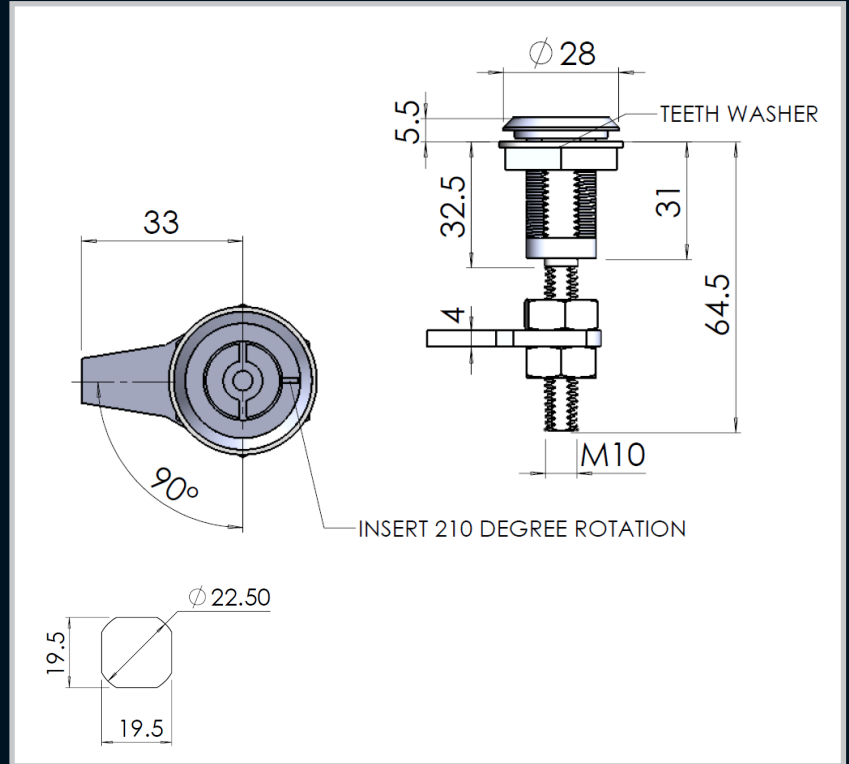
Insulators

Transformer Equipment

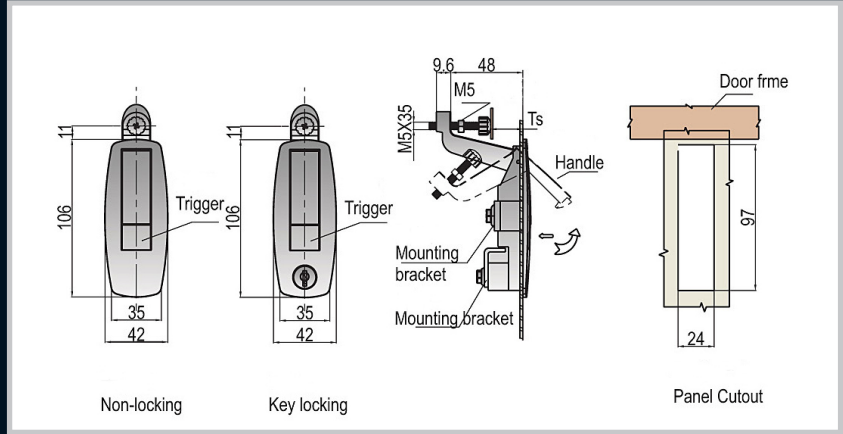
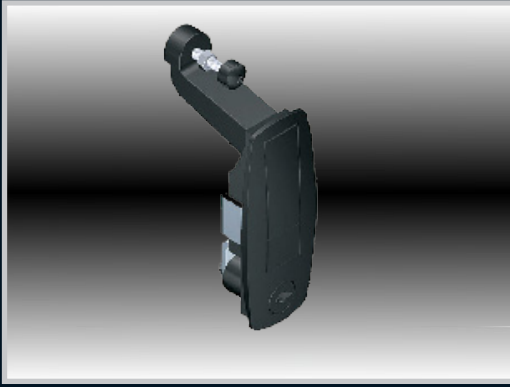
Index



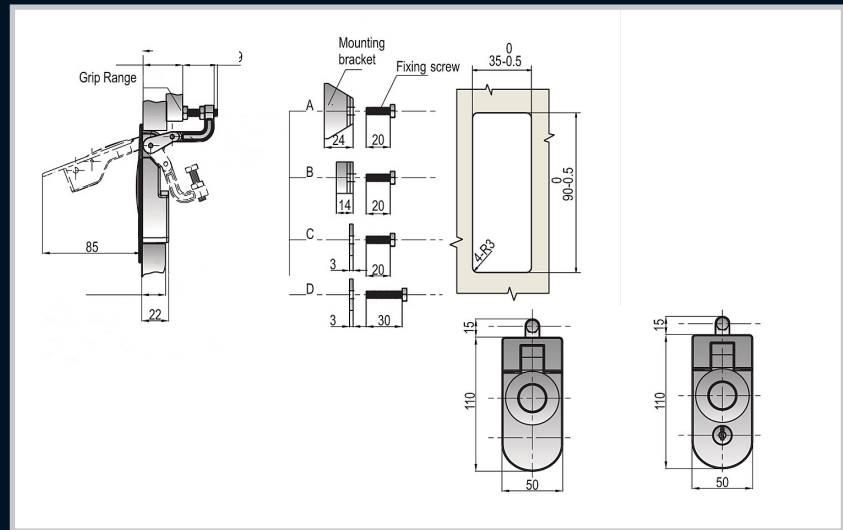
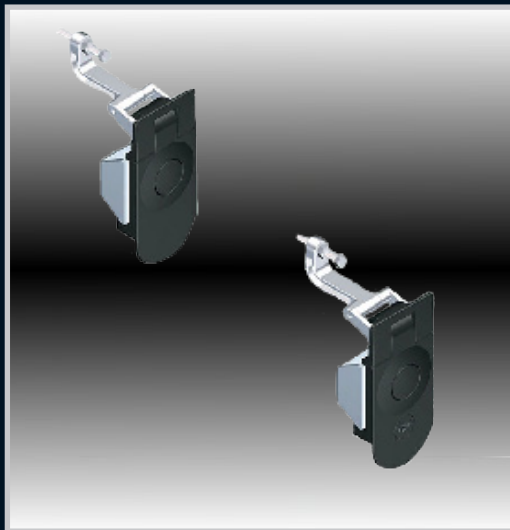
Remarks:
For drive options refer to pages 135,136,137



Part Number	Material	Finish	Insert Type	Insert size (mm)
22.1.55.6.COMP	ZDC	Black powder coated	Square	6
22.1.55.4.COMP	ZDC	Black powder coated	Double Bit	4
22.1.55.8.COMP	ZDC	Black powder coated	Square	8
22.1.55.8T.COMP	ZDC	Black powder coated	Triangular	8
22.1.55.S.COMP	ZDC	Black powder coated	Slotted	-



Part Number	Description
97.10.K	Key locking , Mild Steel
97.00.0	Non locking, Mild steel



Part Number	Description	Panel Thickness	Grip Range	Mounting Bracket
		min-max (mm)	min-max (mm)	
90.114.201	Non locking	1-11	1-14	A
90.214.201	Key locking	1-11	1-14	A
90.114.202	Non locking	11-21	1-14	B
90.214.202	Key locking	11-21	1-14	B

Enclosures

Hinges

Locks

Handles

Accessories

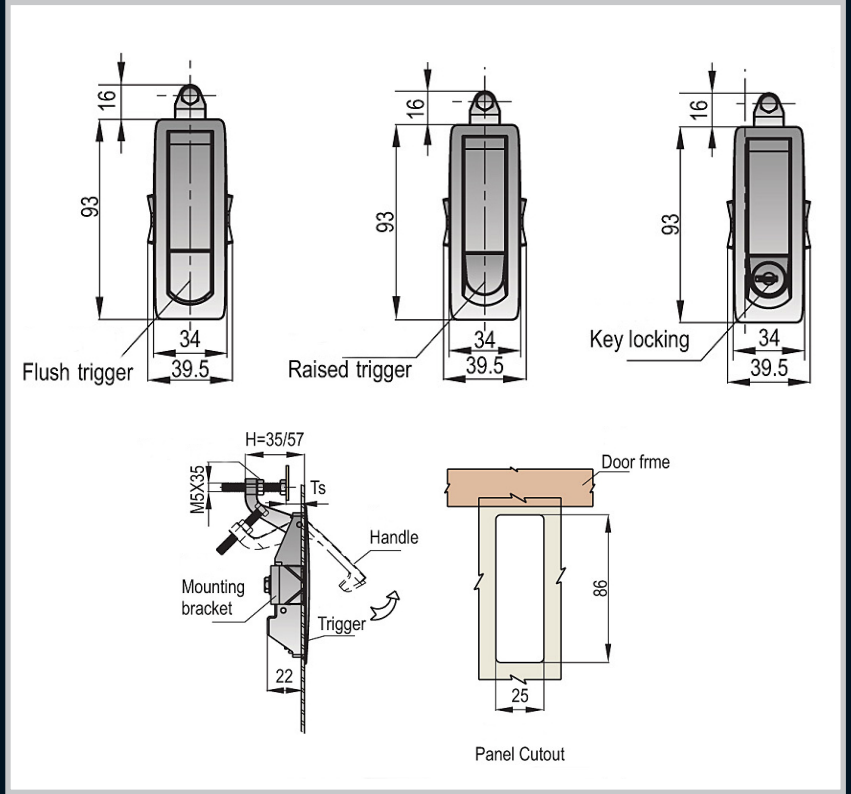
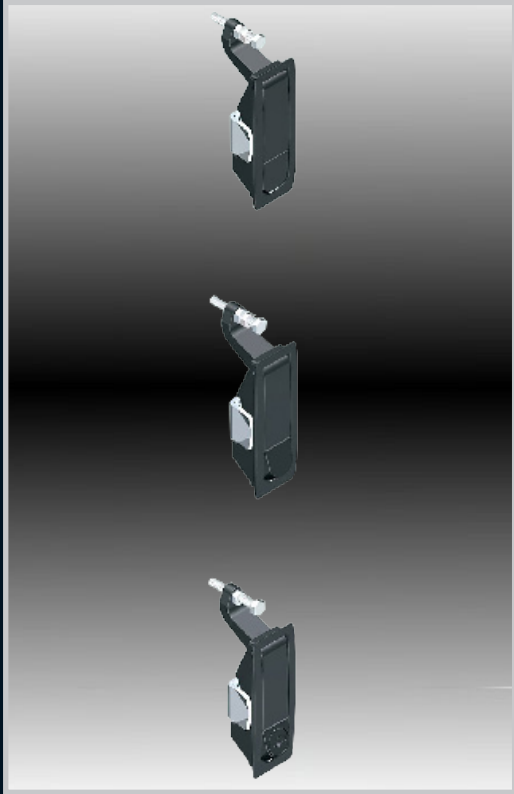
Rotary Operating
Handles

Insulators

Transformer
Equipment

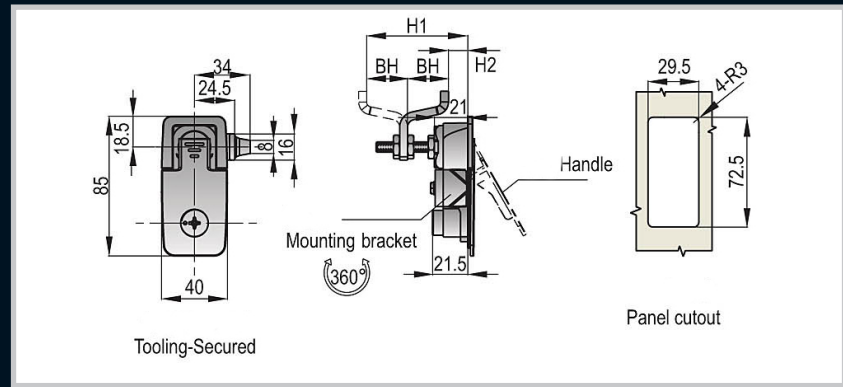
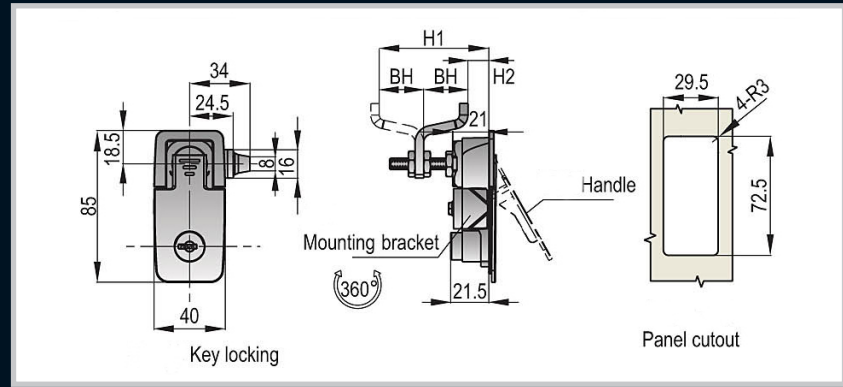
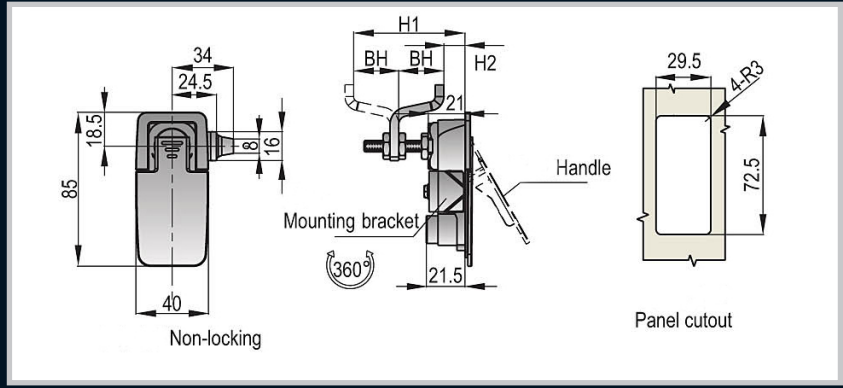
Index

Enclosures
Hinges
Locks
Handles
Accessories
Rotary Operating Handles
Insulators
Transformer Equipment
Index



Remarks:
Available in short and long cam option.

Part Number		Trigger Style
Chrome	Black Powder Coated	
86.124.30	86.124.10	Non locking raised trigger
86.224.30	86.224.10	Non locking flush trigger
86.324.30	86.324.10	Key locking
86.424.30	86.424.10	Key locking
86.524.30	86.524.10	Tooling secured



Part Number		Cylinder Style	Cam Reversed	Cam Forward
Chrome	Black Powder Coated		min - max (mm)	min - max (mm)
72.00.130	72.00.110	Non-locking	56 - 66	6-16
72.00.230	72.00.210	Non-locking	46 - 56	16 - 26
72.00.330	72.00.310	Non-locking	36 - 46	26 - 36
72.10.130	72.10.110	Key lockable	56 - 66	6 - 16
72.10.230	72.10.210	Key lockable	46 - 56	6 - 16
72.10.330	72.10.310	Key lockable	36 - 46	26 - 36
72.11.130	72.11.110	Tooling Secured	56 - 66	6 - 16
72.11.230	72.11.210	Tooling Secured	46 - 56	16 - 26
72.11.330	72.11.310	Tooling Secured	36 - 46	26 - 36

Enclosures

Hinges

Locks

Handles

Accessories

Rotary Operating
Handles

Insulators

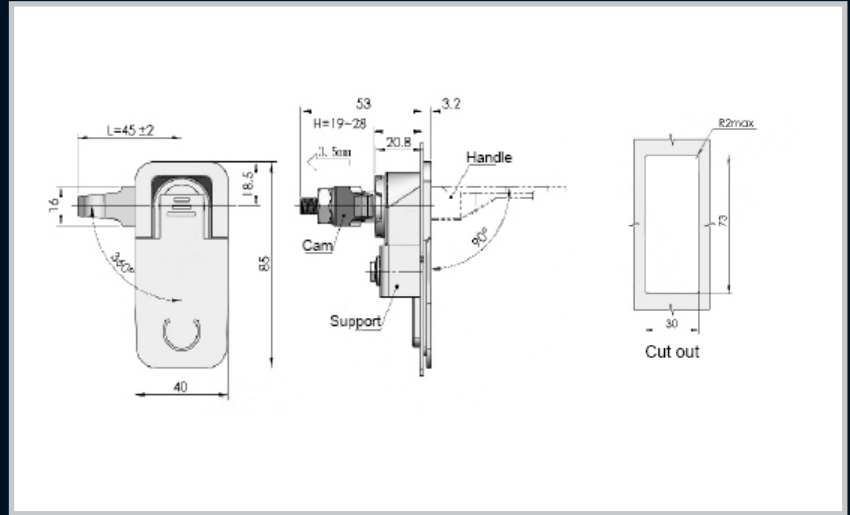
Transformer
Equipment

Index

Enclosures

Hinges

Locks



Part Number	Description
72.2.28.B	Non locking compression latch, Black powder coated

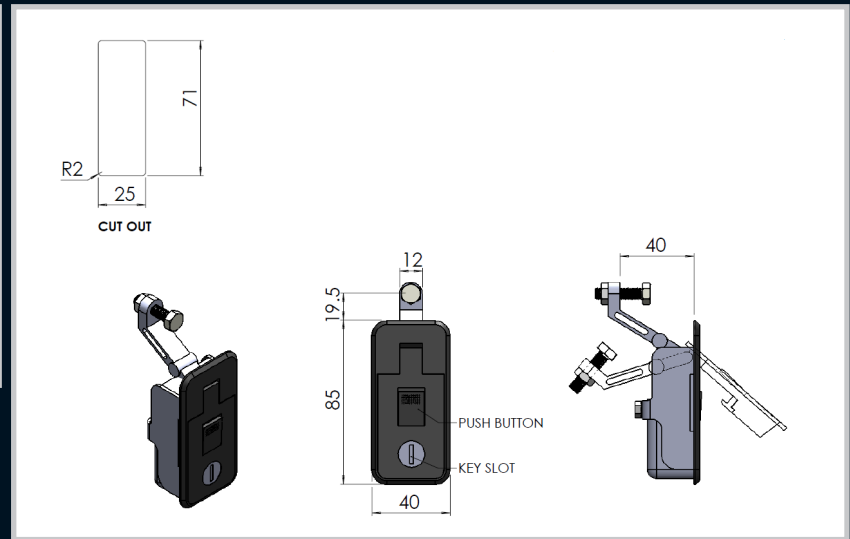
Handles

Accessories

Rotary Operating
Handles



Remarks:
Quick release flush compression lock.
Available in Chrome or Black.



Part Number	Description
71.1.85C/K	Chrome plated ZDC
71.1.85B/K	Black Powder Coated ZDC

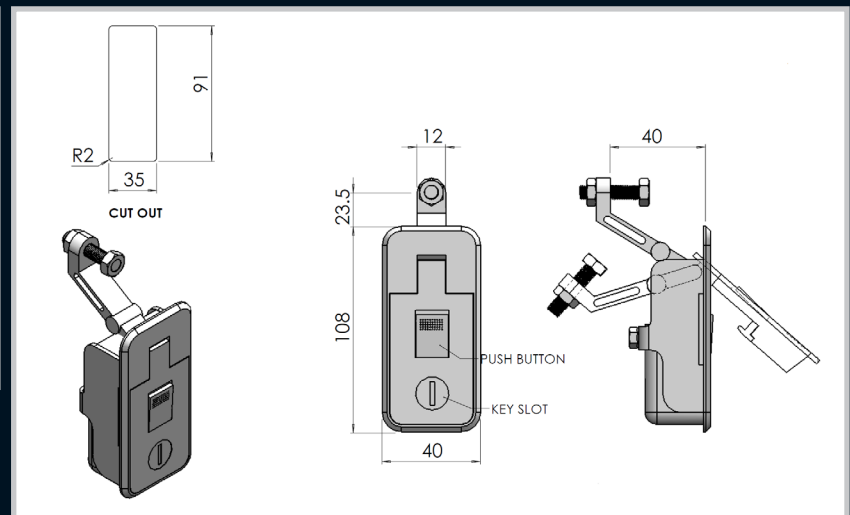
Insulators

Transformer
Equipment

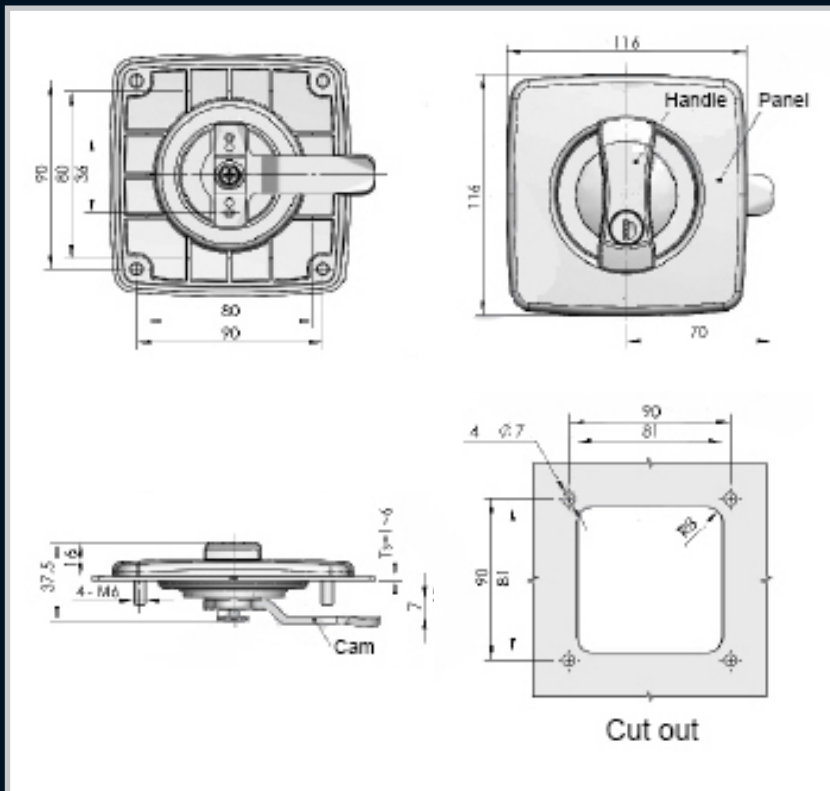
Index



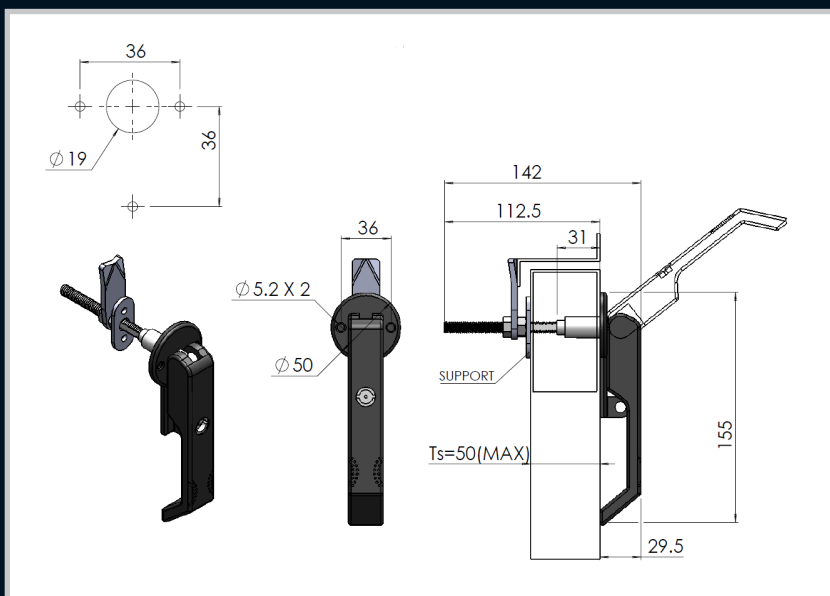
Remarks:
Quick release flush compression lock.
Available in Chrome or Black.



Part Number	Description
91.1.108C/K	Chrome plated ZDC
91.1.108B/K	Black Powder Coated ZDC



Part Number	Description
84.1.30.B/K	Black PA housing and handle, zinc plated steel support



Part Number	Description
19.3.112.P	Padlockable quarter-turn compression handle with double bit drive

Enclosures

Hinges

Locks

Handles

Accessories

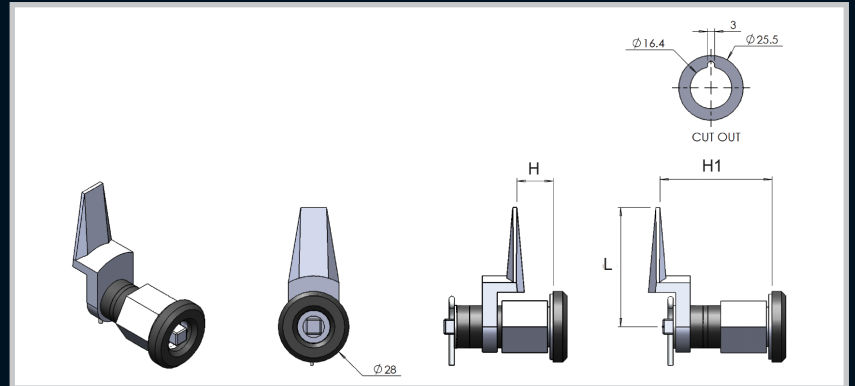
Rotary Operating
Handles

Insulators

Transformer
Equipment

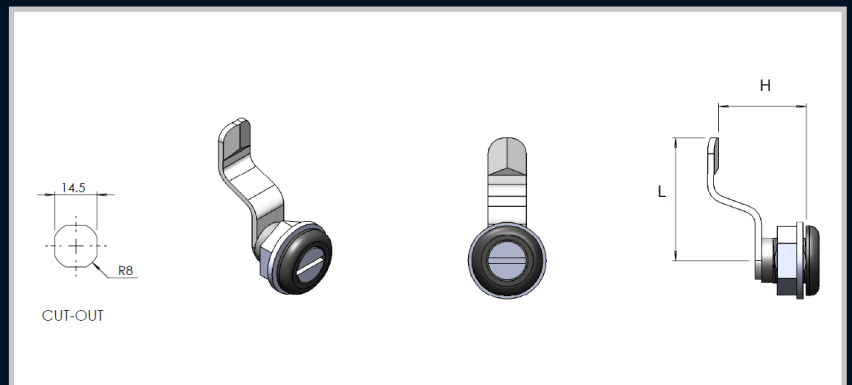
Index

Enclosures
Hinges
Locks
Handles
Accessories
Rotary Operating Handles
Insulators
Transformer Equipment
Index

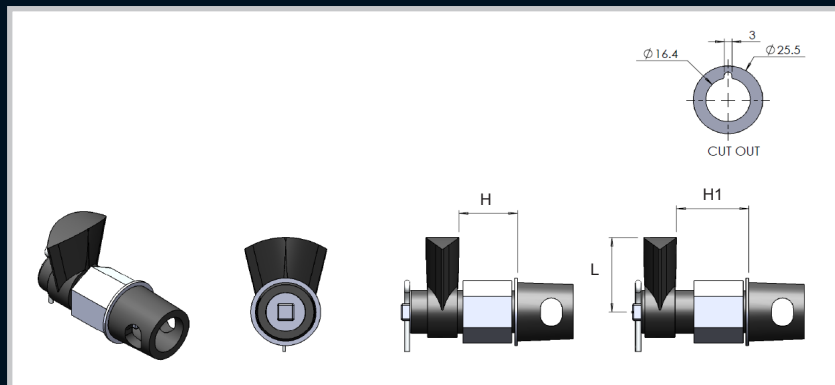


Remarks:
Please refer to pages 135,136,137 for the selection of the interchangeable cams.

Part Number	Material	Finish	Insert Type	Insert size (mm)	H (mm)	H1 (mm)	L (mm)
16.1.401.01	ZDC	Black Powder Coated	Square	6	21	29	30
16.1.531.01	ZDC	Black Powder Coated	Square	6	21	41	30
16.1.401.04n/z	ZDC	Black Powder Coated	Square	6	10	42	34
16.1.531.04n/z	ZDC	Black Powder Coated	Square	6	10	53	34
16.1.401.05n/z	ZDC	Black Powder Coated	Square	6	10	42	48
16.1.531.05n/z	ZDC	Black Powder Coated	Square	6	10	53	48
16.1.401.06	ZDC	Black Powder Coated	Square	6	17	35	49
16.1.531.06	ZDC	Black Powder Coated	Square	6	17	47	49
16.1.401.08	ZDC	Black Powder Coated	Square	6	17	35	49
16.1.531.08	ZDC	Black Powder Coated	Square	6	17	47	49
16.1.401.09n/z	ZDC	Black Powder Coated	Square	6	22	32	37
16.1.531.09n/z	ZDC	Black Powder Coated	Square	6	22	44	37



Part Number	Material	Finish	Insert Type	Insert size (mm)	H (mm)	L (mm)
16.1.012.06	ZDC	Black powder coated	Coin Slot	-	12	30
16.1.017.06	ZDC	Black powder coated	Coin Slot	-	17	30
16.1.028.06	ZDC	Black powder coated	Coin Slot	-	28	30



Remarks:

Please refer to pages 135,136,137 for the selection of the interchangeable cams.

Part Number	Material	Finish	Insert Type	Insert size (mm)	H (mm)	H1 (mm)	L (mm)
16.3.401.01	ZDC	Black Powder Coated	Square	6	21	29	30
16.3.531.01	ZDC	Black Powder Coated	Square	6	21	41	30
16.3.401.04n/z	ZDC	Black Powder Coated	Square	6	10	42	34
16.3.531.04n/z	ZDC	Black Powder Coated	Square	6	10	53	34
16.3.401.05n/z	ZDC	Black Powder Coated	Square	6	10	42	48
16.3.531.05n/z	ZDC	Black Powder Coated	Square	6	10	53	48
16.3.401.06	ZDC	Black Powder Coated	Square	6	17	35	49
16.3.531.06	ZDC	Black Powder Coated	Square	6	17	47	49
16.3.401.08	ZDC	Black Powder Coated	Square	6	17	35	49
16.3.531.08	ZDC	Black Powder Coated	Square	6	17	47	49
16.3.401.09n/z	ZDC	Black Powder Coated	Square	6	22	32	37
16.3.531.09n/z	ZDC	Black Powder Coated	Square	6	22	44	37

Enclosures
Hinges
Locks
Handles
Accessories
Rotary Operating Handles
Insulators
Transformer Equipment
Index

Enclosures

Hinges

Locks

Handles

Accessories

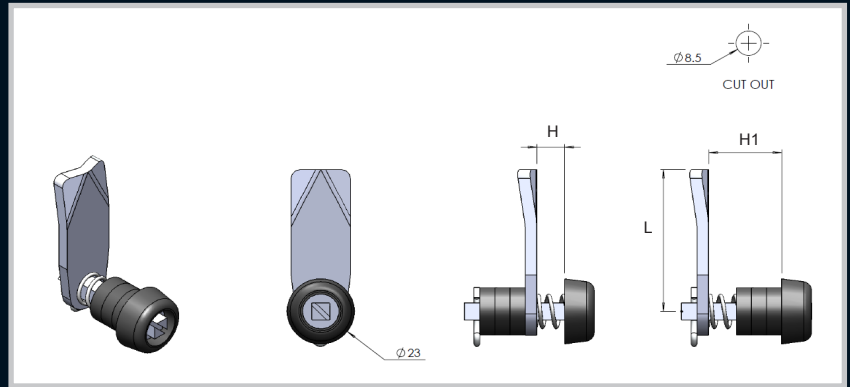
Rotary Operating Handles

Insulators

Transformer Equipment

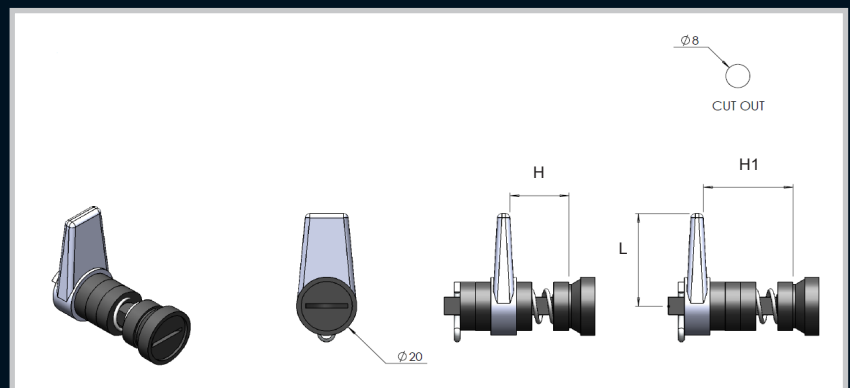
Index

Spring Loaded Locks



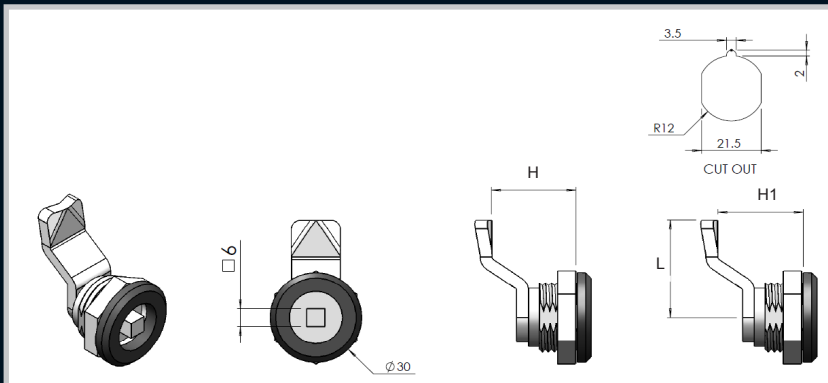
Remarks:
Spring loaded latch with adjustable depths.

Part Number	Material	Insert Type	Insert size (mm)	H (mm)	H1 (mm)	L (mm)
222309	Polyamide body, Mild steel shaft and cam	Square	6	8	25	34

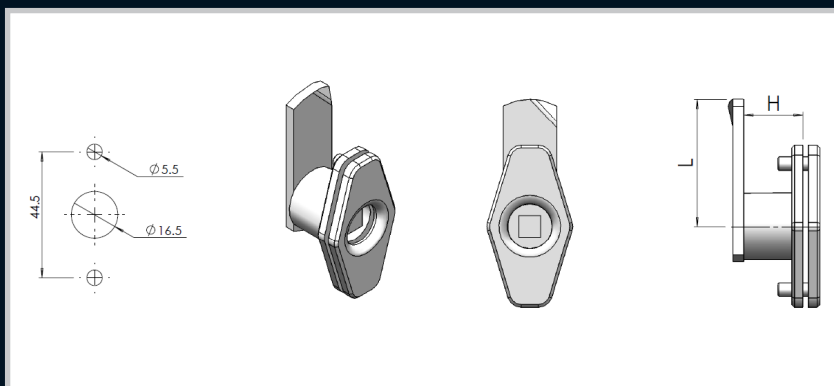


Remarks:
Spring loaded coin lock with adjustable depths.

Part Number	Material	Insert Type	Insert size (mm)	H (mm)	H1 (mm)	L (mm)
8.5.271.01N	Polyamide body, Mild steel shaft and cam	Coin Slot	8	5	13	30
8.5.371.01N	Polyamide body, Mild steel shaft and cam	Coin Slot	8	5	23	30
8.5.271.04Z/N	Polyamide body, Mild steel shaft and cam	Coin Slot	8	1.5	27	34
8.5.371.04Z/N	Polyamide body, Mild steel shaft and cam	Coin Slot	8	1.5	37	34
8.5.271.05Z/N	Polyamide body, Mild steel shaft and cam	Coin Slot	8	1.5	27	48
8.5.371.05Z/N	Polyamide body, Mild steel shaft and cam	Coin Slot	8	1.5	37	48
8.5.271.06	Polyamide body, Mild steel shaft and cam	Coin Slot	8	4	28	49
8.5.371.06	Polyamide body, Mild steel shaft and cam	Coin Slot	8	4	38	49
8.5.271.09Z/N	Polyamide body, Mild steel shaft and cam	Coin Slot	8	5	16	37
8.5.371.09Z/N	Polyamide body, Mild steel shaft and cam	Coin Slot	8	5	26	37



Part Number	Material	Insert Type	Insert size (mm)	H (mm)	L (mm)
25.5.201.04	ZDC body, Mild steel cam	Square	6	20	31
25.5.251.04	ZDC body, Mild steel cam	Square	6	25	31
25.5.281.04	ZDC body, Mild steel cam	Square	6	28	31



Remarks:
Municipal meter box lock.

Part Number	Material	Finish	Insert Type	Insert size (mm)	H (mm)	L (mm)
221000	Mild Steel	Natural	Square	8	22	45

Enclosures

Hinges

Locks

Handles

Accessories

Rotary Operating
Handles

Insulators

Transformer
Equipment

Index

Enclosures

Hinges

Locks

Handles

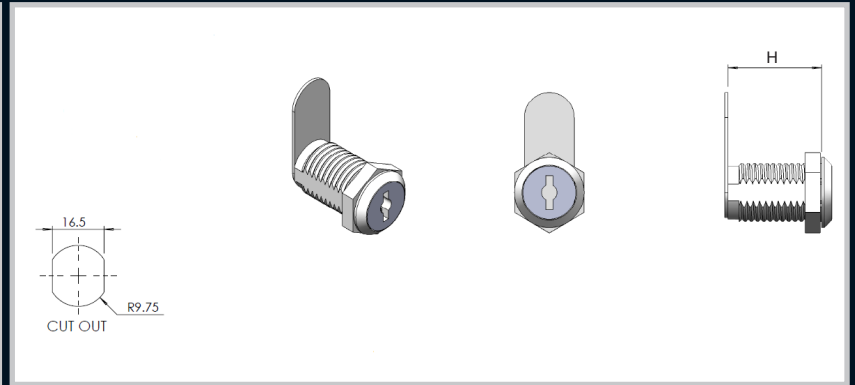
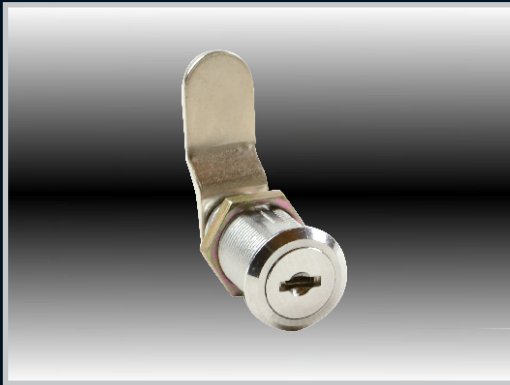
Accessories

Rotary Operating Handles

Insulators

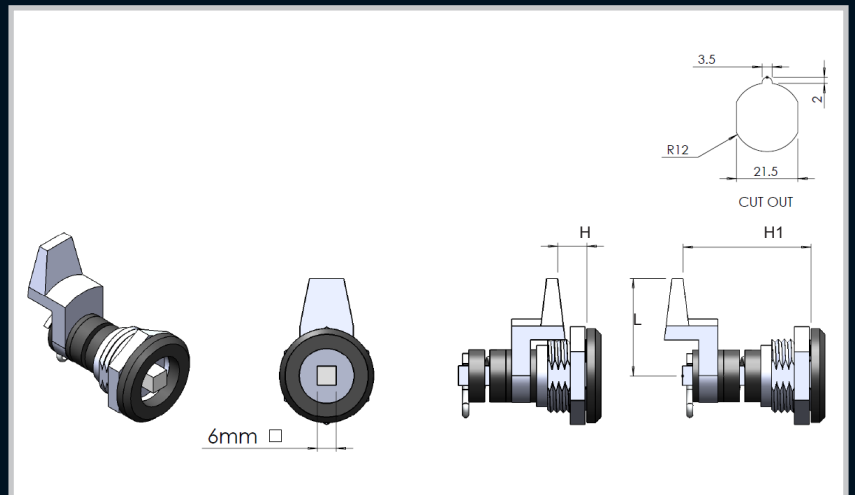
Transformer Equipment

Index



Remarks:
Cam lock available in key different and key alike.

Part Number	Material	Insert Type	Insert size (mm)	H (mm)
SAME KEY				
1010106/16/SK	ZDC	Slotted	-	16
1010106/20/SK	ZDC	Slotted	-	20
1010106/25/SK	ZDC	Slotted	-	25
1010106/30/SK	ZDC	Slotted	-	30
DIFFERENT KEY				
1010106/16/DK	ZDC	Slotted	-	16
1010106/20/DK	ZDC	Slotted	-	20
1010106/25/DK	ZDC	Slotted	-	25
1010106/30/DK	ZDC	Slotted	-	30



Remarks:
Please refer to pages 135,136,137 for the selection of the interchangeable cams.

Part Number	Material	Finish	Insert Type	Insert size (mm)	H (mm)	H1 (mm)	L (mm)
25.65.401.01	ZDC	Black powder coated	Square	6	16	25	30
25.65.401.04n/z	ZDC	Black powder coated	Square	6	9	41	34
25.65.401.05n/z	ZDC	Black powder coated	Square	6	9	41	48
25.65.401.06	ZDC	Black powder coated	Square	6	13	31	49
25.65.401.08	ZDC	Black powder coated	Square	6	13	31	49
25.65.401.09n/z	ZDC	Black powder coated	Square	6	17	28	37



Remarks:
IP 65 panel lock with a 6mm square drive, explosion proof.



Part Number	Material	Finish	Insert Type	Insert size (mm)	H (mm)	L (mm)
25.A65.270.10	Mild Steel	Black powder coated flange	Square	6	27	31
25.A65.450.10	Mild Steel	Black powder coated flange	Square	6	45	31



Part Number	Material	Finish	Insert Type	Insert size (mm)	H (mm)	L (mm)
25.B65.270.10	Mild Steel	Black powder coated flange	Square	6	27	48
25.B65.450.10	Mild Steel	Black powder coated flange	Square	6	45	48

Enclosures

Hinges

Locks

Handles

Accessories

Rotary Operating Handles

Insulators

Transformer Equipment

Index

Enclosures

Hinges

Locks

Handles

Accessories

Rotary Operating Handles

Insulators

Transformer Equipment

Index



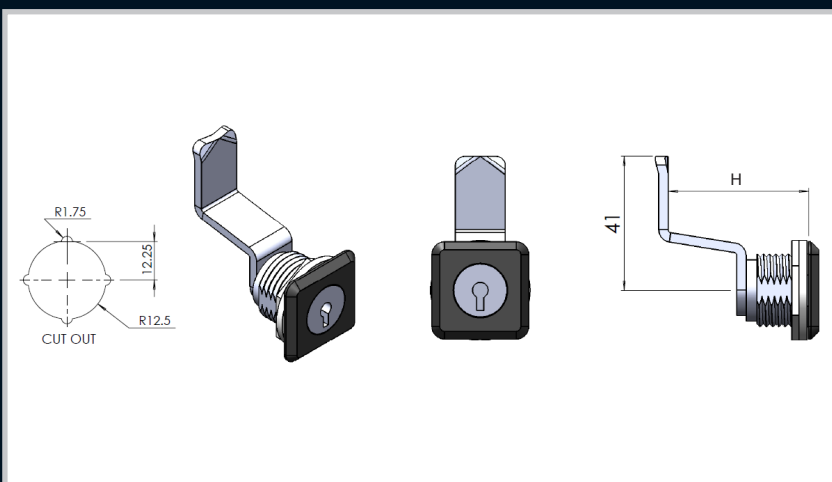
Remarks:
IP 65 panel lock with 6mm square drive.



Part Number	Material	Finish	Insert Type	Insert size (mm)	H (mm)
222622/20	ZDC	Black powder coated	Square	6	20
222622/22	ZDC	Black powder coated	Square	6	22
222622/25	ZDC	Black powder coated	Square	6	25
222622/36	ZDC	Black powder coated	Square	6	36
222622/41	ZDC	Black powder coated	Square	6	41
222622/45	ZDC	Black powder coated	Square	6	45
222622N/20	Nylon	Black powder coated	Square	6	20
222622N/22	Nylon	Black powder coated	Square	6	22
222622N/25	Nylon	Black powder coated	Square	6	25
222622N/36	Nylon	Black powder coated	Square	6	36
222622N/41	Nylon	Black powder coated	Square	6	41
222622N/45	Nylon	Black powder coated	Square	6	45



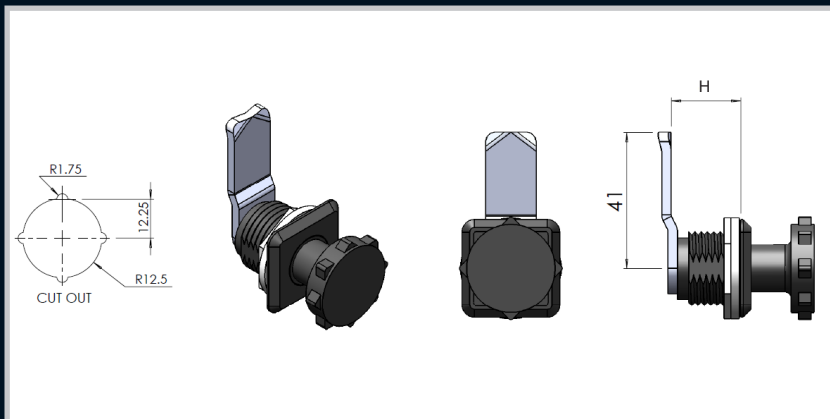
Remarks:
IP65 panel lock barrel and key driven.



Part Number	Material	Finish	Insert Type	Insert size (mm)	H (mm)
222622/20/60066	ZDC	Black powder coated	Slotted	-	20
222622/22/60066	ZDC	Black powder coated	Slotted	-	22
222622/45/60066	ZDC	Black powder coated	Slotted	-	45
222622/20/60125	ZDC	Black powder coated	Slotted	-	20
222622/22/60125	ZDC	Black powder coated	Slotted	-	22
222622/45/60125	ZDC	Black powder coated	Slotted	-	45



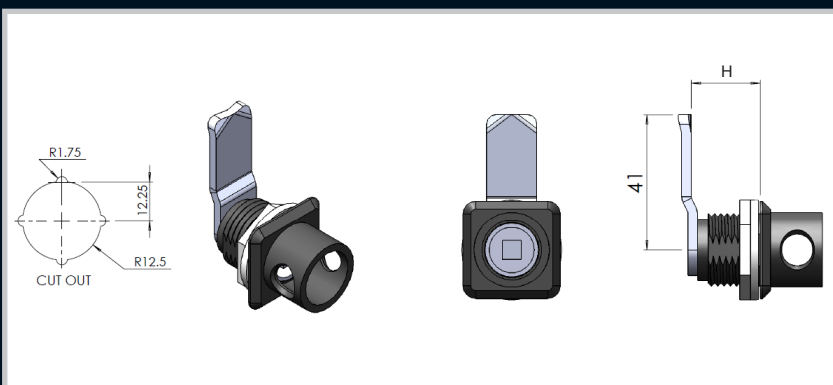
Remarks:
IP 65 panel lock with D31 knob.



Part Number	Material	Finish	Insert Type	Insert size (mm)	H (mm)
222622N/20SS	Nylon	Black Powder Coated	-	-	20
222622/HW/22D31	ZDC	Black Powder Coated	-	-	20



Remarks:
IP 65 padlockable panel lock with a 6mm square drive.



Part Number	Material	Finish	Insert Type	Insert size (mm)	H (mm)
222628/20	ZDC	Black Powder Coated	Square	6	20
222628/22	ZDC	Black Powder Coated	Square	6	22
222628/25	ZDC	Black Powder Coated	Square	6	25
222628/36	ZDC	Black Powder Coated	Square	6	36
222628/41	ZDC	Black Powder Coated	Square	6	41
222628/45	ZDC	Black Powder Coated	Square	6	45
222628N/20	ZDC	Black Powder Coated	Square	6	20
222628N/22	ZDC	Black Powder Coated	Square	6	22
222628N/25	ZDC	Black Powder Coated	Square	6	25
222628N/36	ZDC	Black Powder Coated	Square	6	36
222628N/41	ZDC	Black Powder Coated	Square	6	41
222628N/45	ZDC	Black Powder Coated	Square	6	45

Enclosures

Hinges

Locks

Handles

Accessories

Rotary Operating Handles

Insulators

Transformer Equipment

Index

Enclosures

Hinges

Locks

Handles

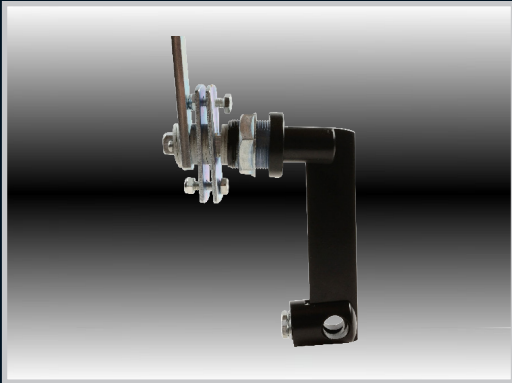
Accessories

Rotary Operating Handles

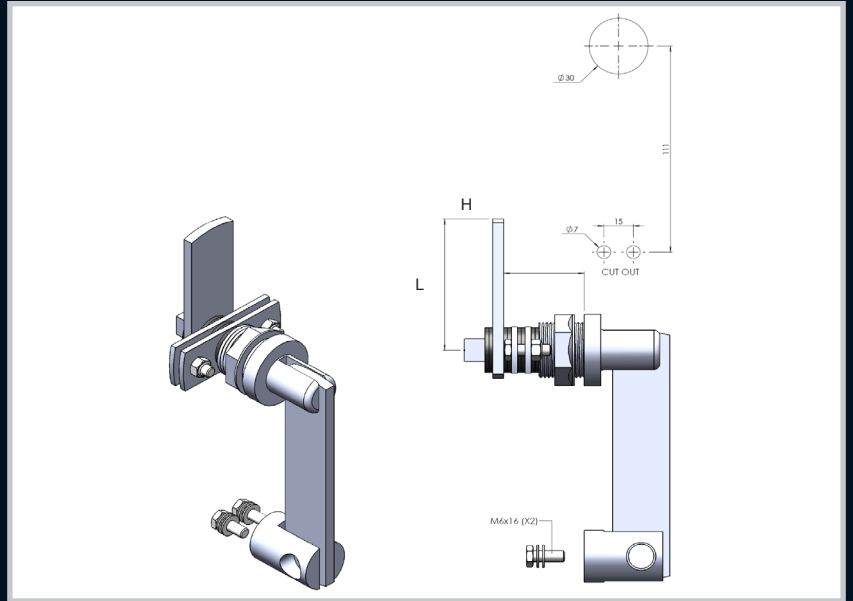
Insulators

Transformer Equipment

Index



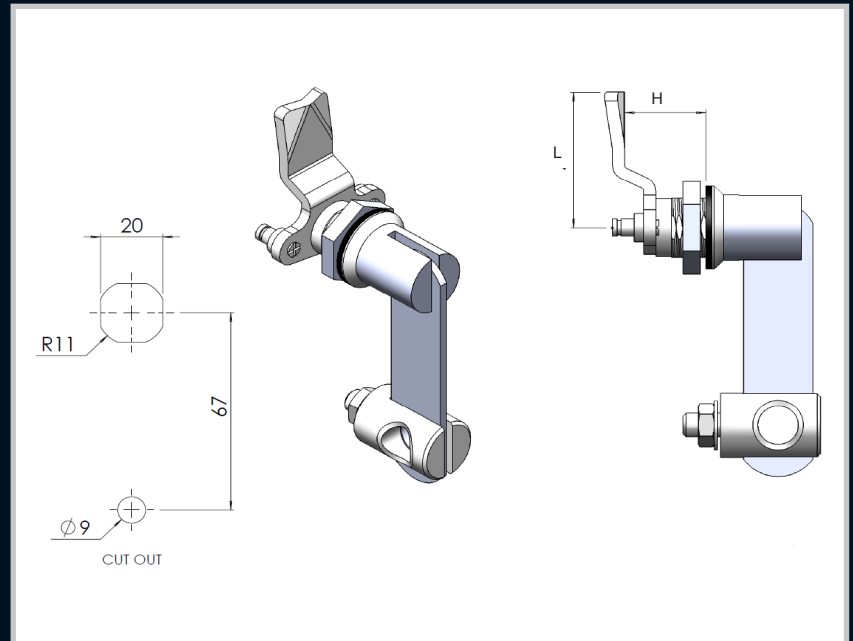
Remarks:
Heavy duty lever lock available in ZDC or stainless steel.



Part Number	Description	H (mm)	L (mm)
1010175	ZDC body and MS Cam	45	70
1010175S/S	Complete Stainless steel	45	70
1010175T/S	Mild Steel with threaded shaft	45	70
1010175S/S-T/S	Stainless steel with threaded shaft	45	70



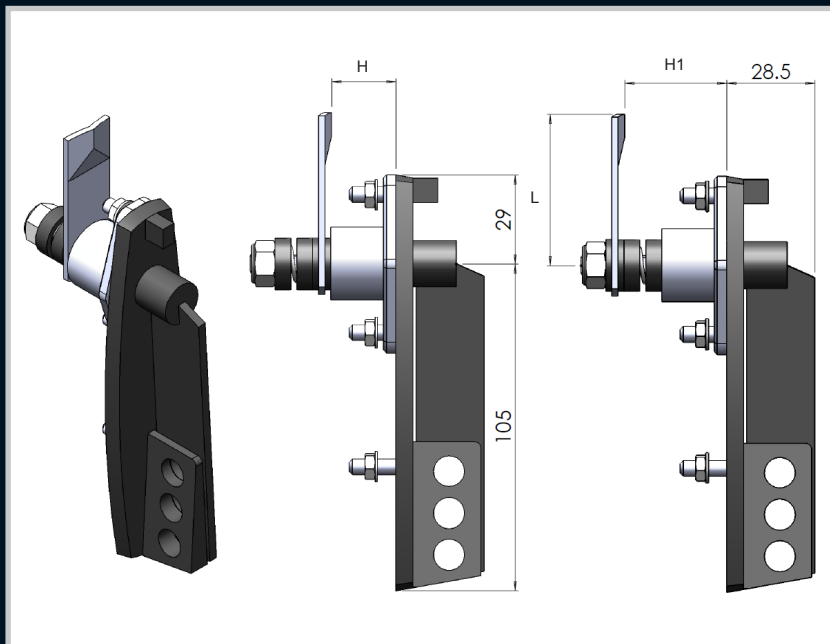
Remarks:
IP65 quarter turn lever lock Eskom approved.
Refer to pages 135,136,137 for cam selection.



Part Number	Description	L (mm)	H (mm)
22.4.08.STRTS/S	Complete stainless steel	46	22
22.4.08.STEPS/S	Complete stainless steel	46	26



Remarks:
Municipal safety lever lock with a 3 hole locking system.



Part Number	Description	H (mm)	L (mm)	H1 (mm)
16.4.432.01/MS/3H	ZDC body with MS cam	30	35	30
16.4.432.02/MS/3H	ZDC body with MS cam	22	38	32
16.4.432.03/MS/3H	ZDC body with MS cam	28	40	38
16.4.432.04/MS/3H	ZDC body with MS cam	25	30	31
16.4.432.05/MS/3H	ZDC body with MS cam	25	31	50
16.4.432.06/MS/3H	ZDC body with MS cam	22	55	48
16.4.612.01/MS/3H	ZDC body with MS cam	30	50	30
16.4.612.02/MS/3H	ZDC body with MS cam	20	50	32
16.4.612.03/MS/3H	ZDC body with MS cam	28	52	38
16.4.612.04/MS/3H	ZDC body with MS cam	25	64	31
16.4.612.05/MS/3H	ZDC body with MS cam	25	64	50
16.4.612.06/MS/3H	ZDC body with MS cam	22	55	48
16.4.432.01/SS/3H	Complete stainless steel body and cam	30	35	30
16.4.432.02/SS/3H	Complete stainless steel body and cam	22	38	32
16.4.432.03/SS/3H	Complete stainless steel body and cam	28	40	38
16.4.432.04/SS/3H	Complete stainless steel body and cam	25	30	31
16.4.432.05/SS/3H	Complete stainless steel body and cam	25	31	50
16.4.432.06/SS/3H	Complete stainless steel body and cam	22	55	48
16.4.612.01/SS/3H	Complete stainless steel body and Cam	30	35	30
16.4.612.02/SS/3H	Complete stainless steel body and Cam	22	38	32
16.4.612.03/SS/3H	Complete stainless steel body and Cam	28	40	38
16.4.612.04/SS/3H	Complete stainless steel body and Cam	25	30	31
16.4.612.05/SS/3H	Complete stainless steel body and Cam	25	31	50
16.4.612.06/SS/3H	Complete stainless steel body and Cam	22	55	48

Enclosures

Hinges

Locks

Handles

Accessories

Rotary Operating Handles

Insulators

Transformer Equipment

Index

Enclosures

Hinges

Locks

Handles

Accessories

Rotary Operating
Handles

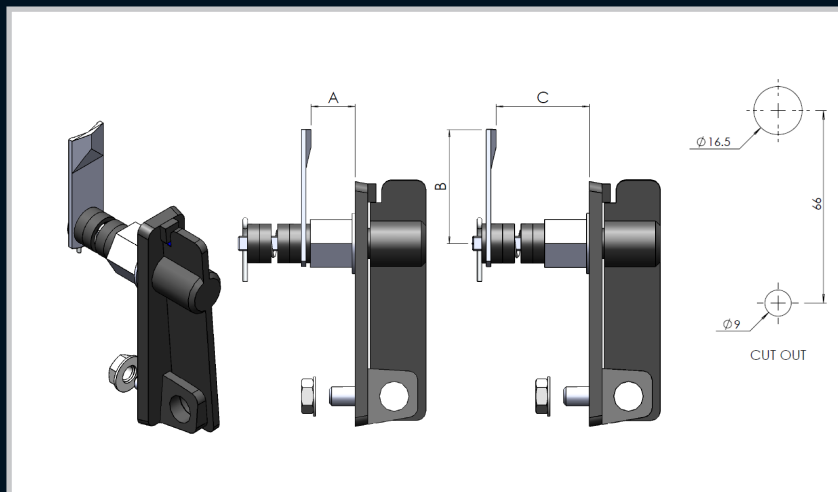
Insulators

Transformer
Equipment

Index



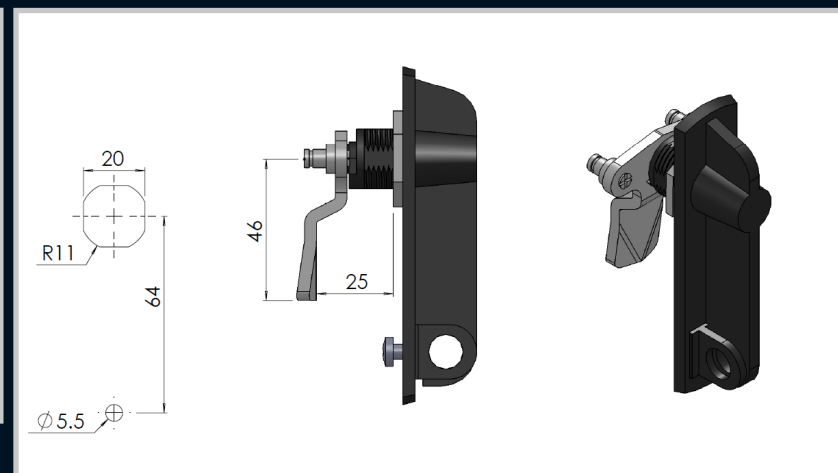
Remarks:
Light duty lever lock with adjustable depths, refer to pages 135,136,137 for cam selection.



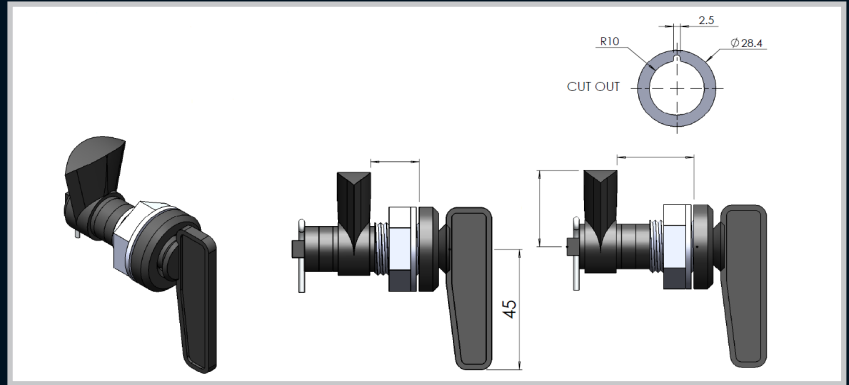
Part Number	Description	A (mm)	B (mm)	C (mm)
16.4.432.01	ZDC Body with MS cam,Black powder coated	22	30	30
16.4.612.01	ZDC Body with MS cam,Black powder coated	22	50	30
16.4.432.04n/z	ZDC Body with MS cam,Black powder coated	11	47	34
16.4.612.04n/z	ZDC Body with MS cam,Black powder coated	11	65	34
16.4.432.05n/z	ZDC Body with MS cam,Black powder coated	11	47	48
16.4.612.05n/z	ZDC Body with MS cam,Black powder coated	11	65	48
16.4.432.06	ZDC Body with MS cam,Black powder coated	17	37	49
16.4.612.06	ZDC Body with MS cam,Black powder coated	17	55	49
16.4.432.08	ZDC Body with MS cam,Black powder coated	17	37	49
16.4.612.08	ZDC Body with MS cam,Black powder coated	17	55	49
16.4.432.09n/z	ZDC Body with MS cam,Black powder coated	22	35	37
16.4.612.09n/z	ZDC Body with MS cam,Black powder coated	22	53	37



Remarks:
Refer to pages 135,136,137 for 3 point locking cam selection.



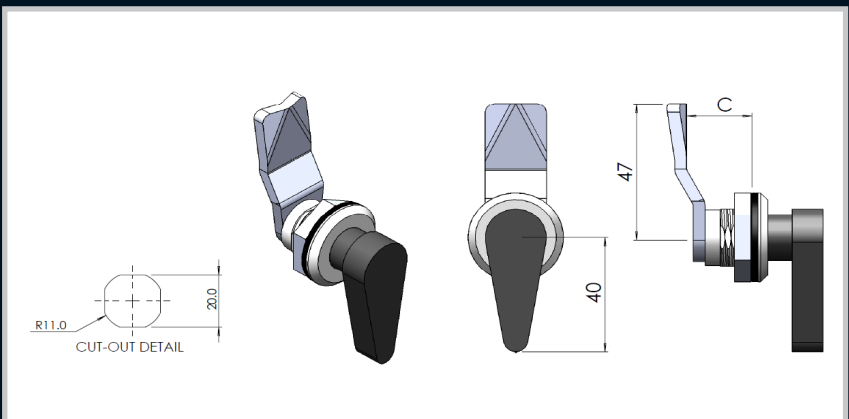
Part Number	Description	L (mm)	H (mm)
22.4.00.08	ZDC Black powder coated, MS cam Galvanized	46	25



Remarks:

Mini lever lock with adjustable depths, refer to pages 135,136,137 for cam selection.

Part Number	Description	L (mm)	H (mm)	H1 (mm)
20.7.331.01	ZDC body and lever, Black powder coated	30	17	28
20.7.561.01	ZDC body and lever, Black powder coated	30	17	45
20.7.331.04n/z	ZDC body and lever, Black powder coated	34	7	43
20.7.561.04n/z	ZDC body and lever, Black powder coated	34	7	59
20.7.331.05n/z	ZDC body and lever, Black powder coated	48	6	43
20.7.561.05n/z	ZDC body and lever, Black powder coated	48	6	59
20.7.331.06P	ZDC body and lever, Black powder coated	49	13	35
20.7.561.06	ZDC body and lever, Black powder coated	49	13	49
20.7.331.08	ZDC body and lever, Black powder coated	49	13	35
20.7.561.08	ZDC body and lever, Black powder coated	49	13	49
20.7.331.09n/z	ZDC body and lever, Black powder coated	37	18	33
20.7.561.09n/z	ZDC body and lever, Black powder coated	37	18	48



Remarks:

Mini lever lock with adjustable depths, refer to pages 135,136,137 for cam selection.

Part Number	Description	L (mm)	H (mm)
T26.20	ZDC Body with stainless steel cam	47	20
T26.22	ZDC Body with stainless steel cam	47	22
T26.25	ZDC Body with stainless steel cam	47	25
T26.36	ZDC Body with stainless steel cam	47	36
T26.41	ZDC Body with stainless steel cam	47	41
T26.45	ZDC Body with stainless steel cam	47	45

Enclosures

Hinges

Locks

Handles

Accessories

Rotary Operating Handles

Insulators

Transformer Equipment

Index

Enclosures

Hinges

Locks

Handles

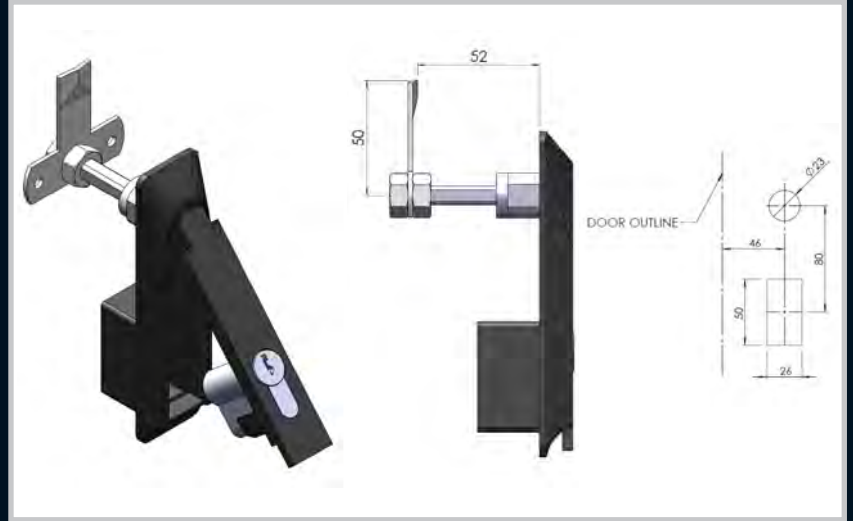
Accessories

Rotary Operating
Handles

Insulators

Transformer
Equipment

Index



Remarks:

Available in 4 finishes, black base with black handle, black base with chrome handle, complete chrome, stainless steel.

Part Number	Description
10111KZK190	ZDC body with M/S cam shaft
10111KZK191	ZDC body with M/S cam shaft
10111KZK192	ZDC body with M/S cam shaft
10111KZK193	ZDC body with M/S cam shaft
10111KZK194	ZDC body with M/S cam shaft
10111KZK195	ZDC body with M/S cam shaft

Enclosures

Hinges

Locks

Handles

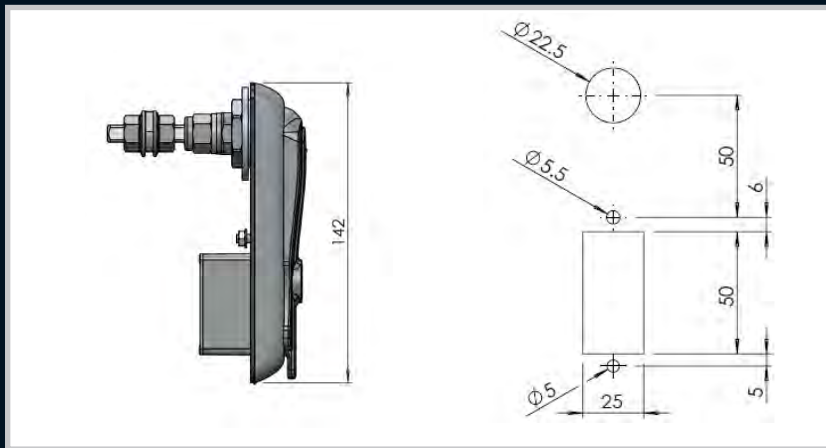
Accessories

Rotary Operating
Handles

Insulators

Transformer
Equipment

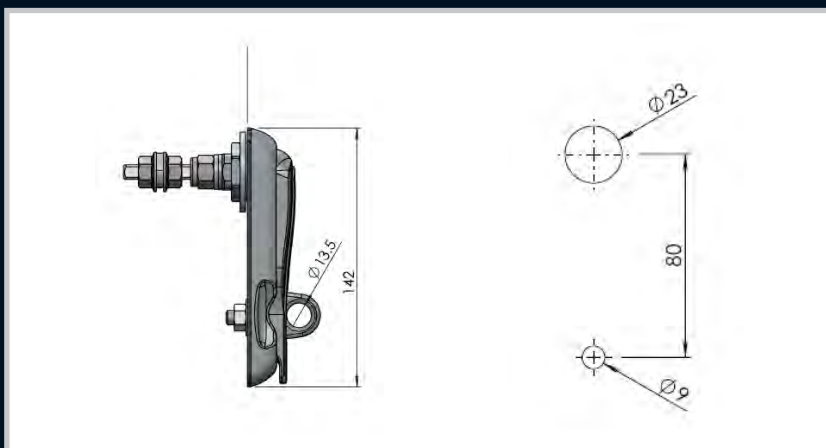
Index



Remarks:

- Quality chrome plated and superior 316 grade stainless steel models available.
- Standard 92268 and CL001 barrel types.
- Half-Euro cylinder types in 92268 & CL001 key.
- Sleek, modern styling.
- Smooth, user friendly operation with snap shut Anti-tamper and Anti-vibration system.

Part Number	Description
10333K/CL001	Chrome swing handle locking with standard CL001 barrel
10333K/92268	Chrome swing handle locking with standard 92268 barrel



Remarks:

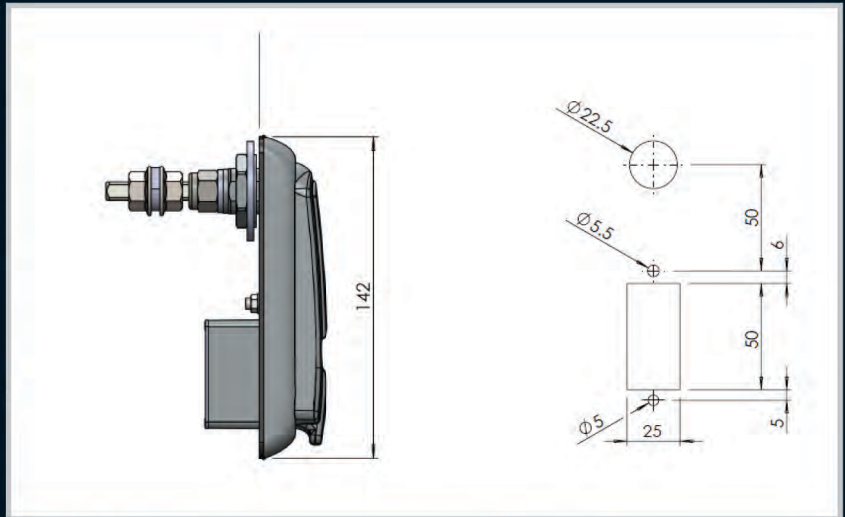
- Quality chrome plated and superior 316 grade stainless steel models available.
- Smooth, user friendly operation with snap shut Anti-tamper and Anti-vibration system.

Part Number	Description
10333PC	Chrome swing handle padlockable
10333PB	Padlockable swing handle with black finish
10333PS/S	316 Stainless steel swing handle padlockable



Remarks:

- Quality chrome plated and superior 316 grade stainless steel models available.
- Standard 92268 and CL001 barrel types.
- Half-Euro cylinder types in 92268 & CL001 key.
- Sleek, modern styling.
- Smooth, user friendly operation with snap shut Anti-tamper and Anti-vibration system.



Part Number	Description
10444KSSHEC/CL001	316 Stainless steel swing handle locking with Half-Euro cylinder with CL001 barrel
10444SSHEC/92268	316 Stainless steel swing handle locking with Half-Euro cylinder with 92268 barrel
10444KHEC/CL001	Chrome swing handle locking with Half-Euro cylinder with CL001 barrel
10444KHEC/92268	Chrome swing handle locking with Half-Euro cylinder with 92268 barrel
10444K/WOC	Chrome swing handle Half-Euro with no cylinder
10444S/SWOC	316 Stainless steel swing handle Half-Euro with no cylinder

Enclosures

Hinges

Locks

Handles

Accessories

Rotary Operating
Handles

Insulators

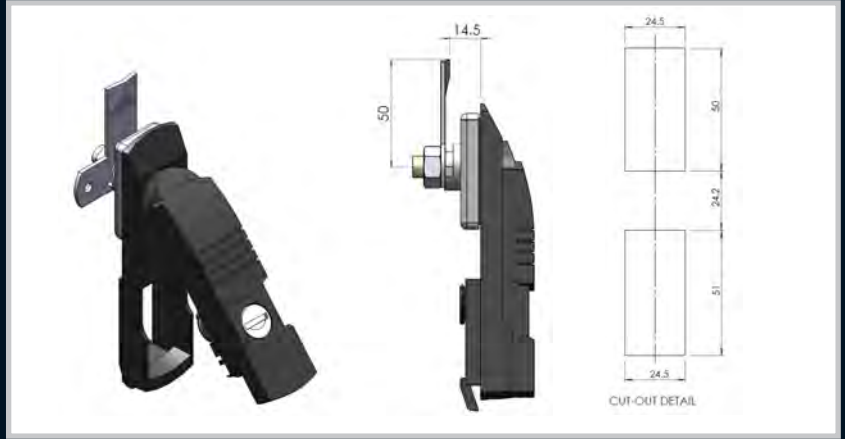
Transformer
Equipment

Index

Enclosures
Hinges
Locks
Handles
Accessories
Rotary Operating Handles
Insulators
Transformer Equipment
Index



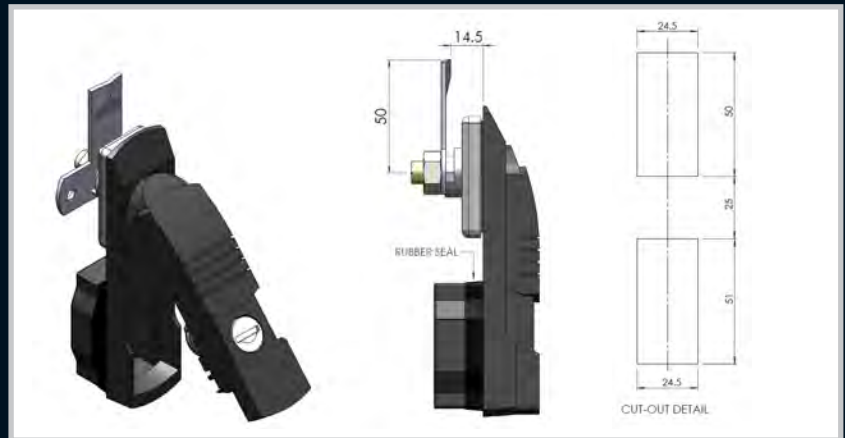
Remarks:
Quick Assembly swing handle.
Available in key alike and key different.



Part Number	Material and Finish	Description
FNSH/HOOK/SK	Nylon Matt Black	Swing handle with profile cylinder, slide dust cap and hook for quick fitment
FNSH/HOOK/DK	Nylon Matt Black	Swing handle with profile cylinder, slide dust cap and hook for quick fitment



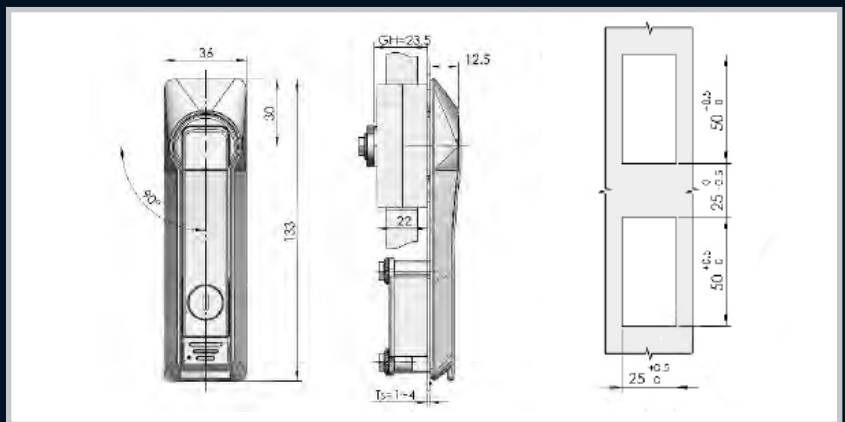
Remarks:
IP65 swing handle.
Available in key alike and key different.



Part Number	Material and Finish	Description
FNSH/65	Nylon Matt black	Swing handle with profile cylinder, slide dust cap and rubber gasket with cap for IP65 rating



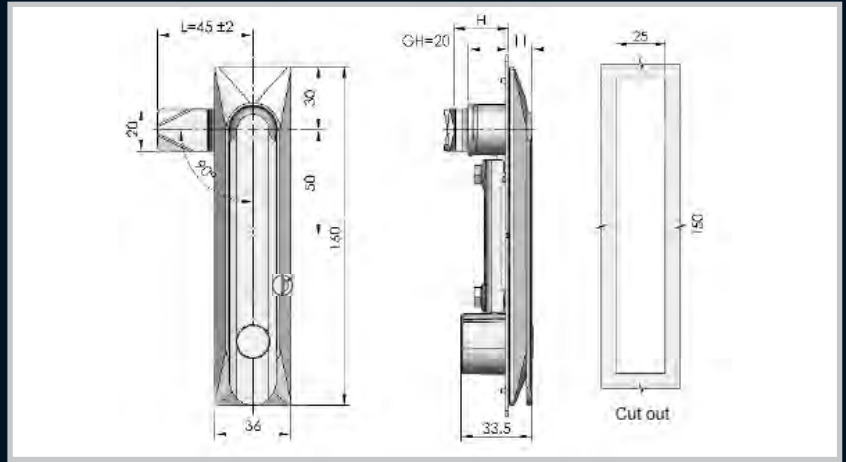
Remarks:
Available in key alike and key different.
For key different option add "D" to part number



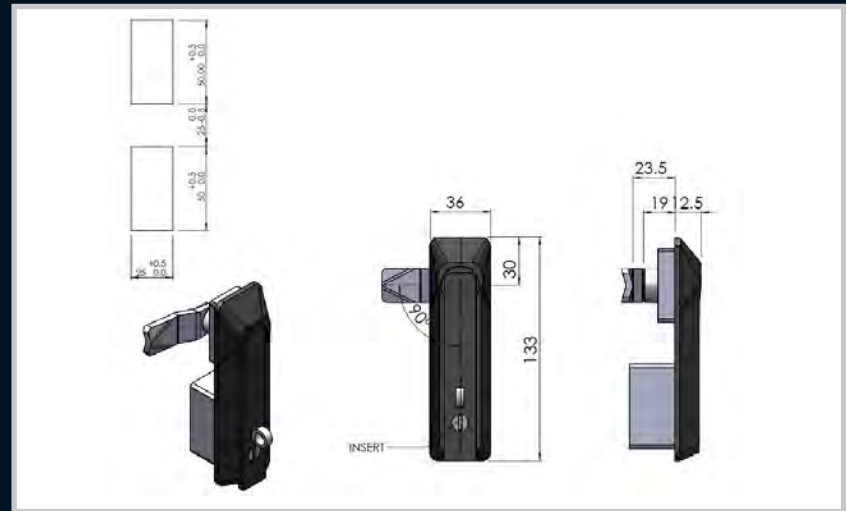
Part Number	Description
50.2.23.P.B/K	Key lockable flush swing handle with push button , Black
50.2.23.P.B/K-92268	Key lockable flush swing handle with push button , Black
50.2.23.P.C/K	Key lockable flush swing handle with push button , Chrome
50.2.23.B/K	Key lockable swing handle 90 degree rotation , Black
50.2.23.C/K	Key lockable swing handle 90 degree rotation , Chrome



Remarks:
Available in key alike and key different.
For key different option add "D" to part number



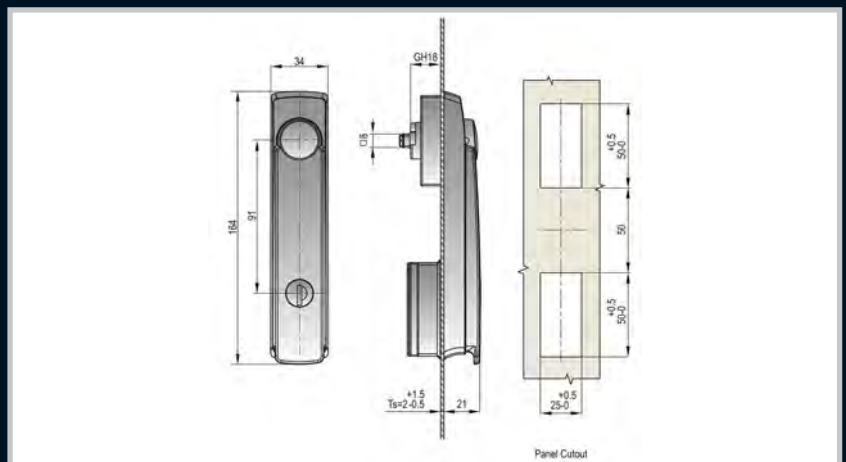
Part Number	Description
150.2.20.B/K	Key lockable swing handle, Black



Part Number	Description
50.4.23.B/P	Padlockable swing handle Black powder coated ZDC
50.4.23.PS/S	Padlockable swing handle full stainless steel



Remarks:
Available in key alike and key different.
For key different option add "D" to part number



Part Number	Description
164.1.50.N/K	Nylon body and handle , key lockable
164.1.50.ZN/K	Nylon body and Zinc die handle, key lockable

Enclosures

Hinges

Locks

Handles

Accessories

Rotary Operating
Handles

Insulators

Transformer
Equipment

Index

Enclosures

Hinges

Locks

Handles

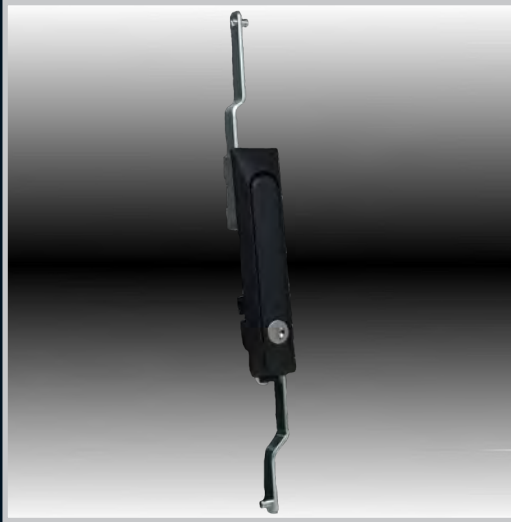
Accessories

Rotary Operating Handles

Insulators

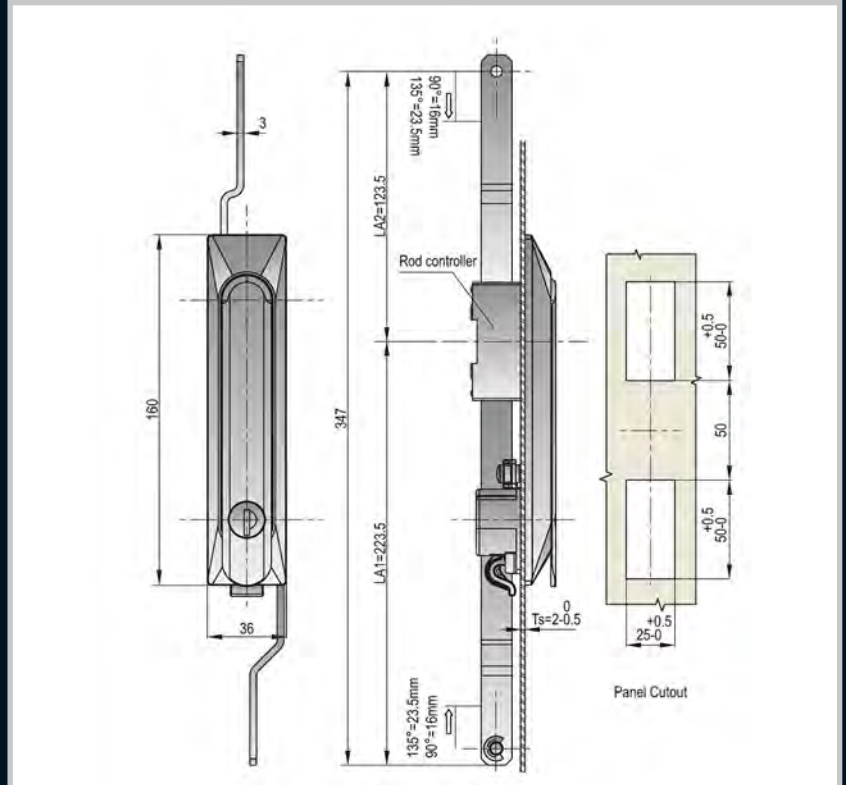
Transformer Equipment

Index



Remarks:

Available in key alike and key different. For key different option add "D" to part number

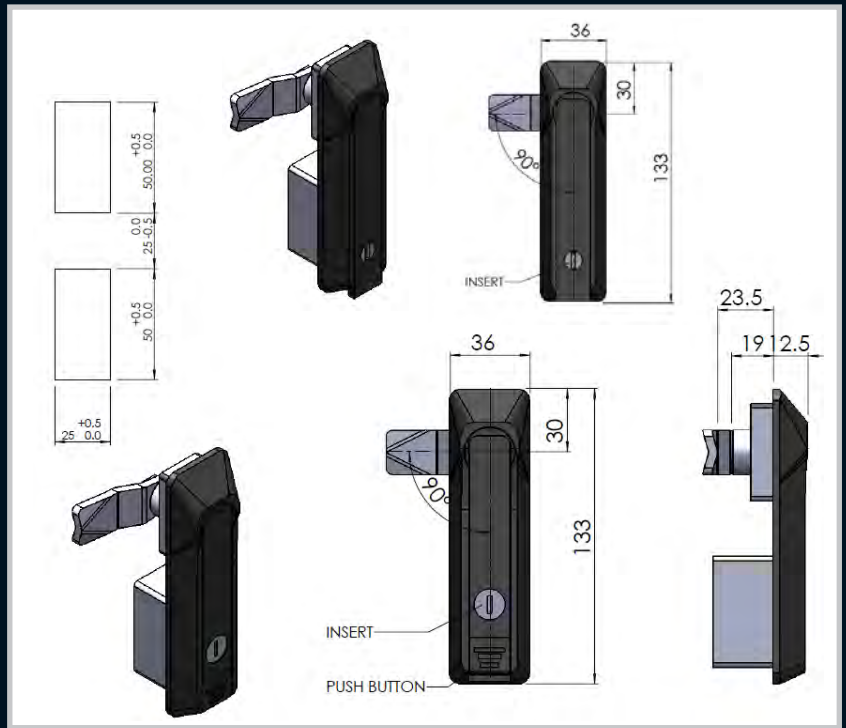


Part Number	Description
160.1.50.BK/RLS	Black powder coated , Key lockable



Remarks:

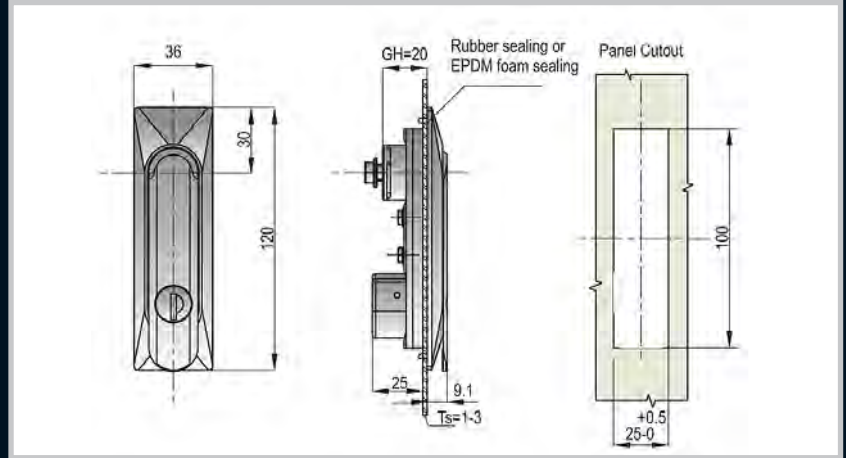
Available in key alike and key different. For key different option add "D" to part number



Part Number	Description
50.2.19.B/RL	Swing handle Black ZDC, with button, optional rod latch system
50.2.19.WB/RL	Swing handle Black ZDC, without button, optional rod latch system
50.2.19.WB	Swing handle Black ZDC, without button
50.2.19.B	Swing handle Black ZDC, with button



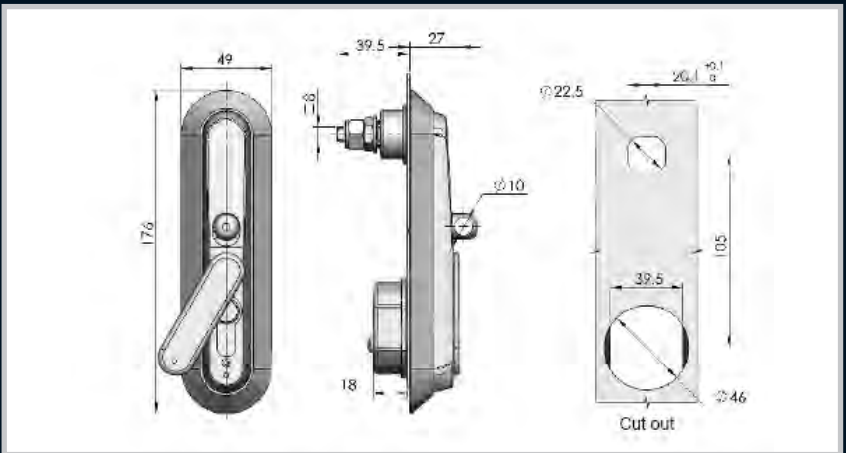
Remarks:
Available in key alike and key different.
For key different option add "D" to part number



Part Number	Description
120.1.100.ZN/BK	Zinc handle with Nylon housing, key lockable
120.1.100.Z/BK	Full Zinc, key lockable



Remarks:
Available in key alike and key different.
For key different option add "D" to part number



Part Number	Description
46.3.39.Z/P	ZDC handle and housing (with padlock)
46.2.39.PA	ZDC handle and PA housing (without padlock)
46.3.39.PA/P	ZDC handle and PA housing (with padlock)

Enclosures

Hinges

Locks

Handles

Accessories

Rotary Operating
Handles

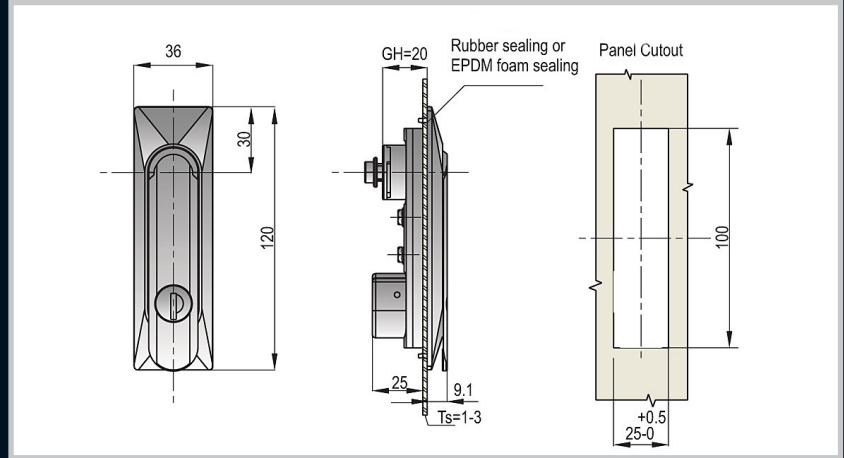
Insulators

Transformer
Equipment

Index



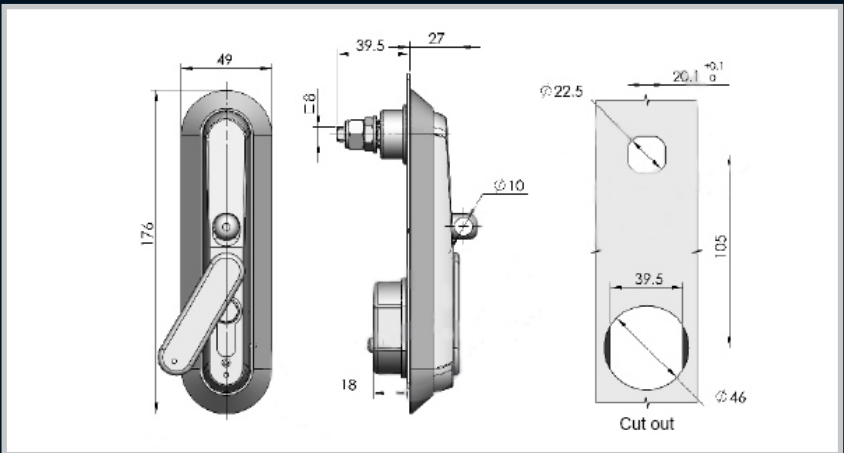
Remarks:
Available in key alike and key different.
For key different option add "D" to part number



Part Number	Description
120.1.100.ZN/BK	Zinc handle with Nylon housing, key lockable
120.1.100.Z/BK	Full Zinc, key lockable



Remarks:
Available in key alike and key different.
For key different option add "D" to part number



Part Number	Description
46.3.39.Z/P	ZDC handle and housing (with padlock)
46.2.39.PA	ZDC handle and PA housing (without padlock)
46.3.39.PA/P	ZDC handle and PA housing (with padlock)

Enclosures

Hinges

Locks

Handles

Accessories

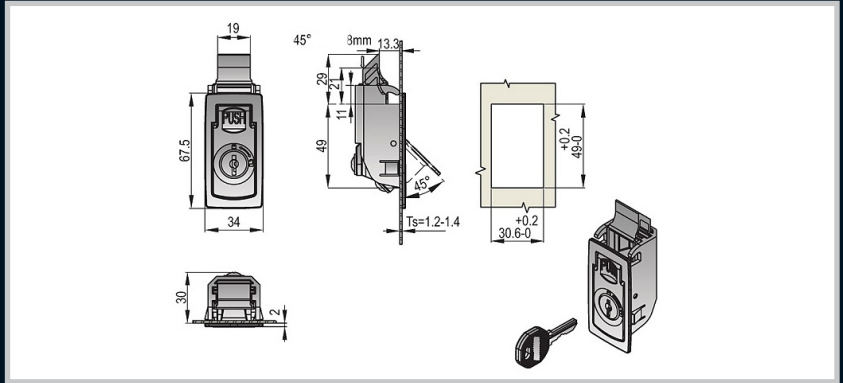
Rotary Operating
Handles

Insulators

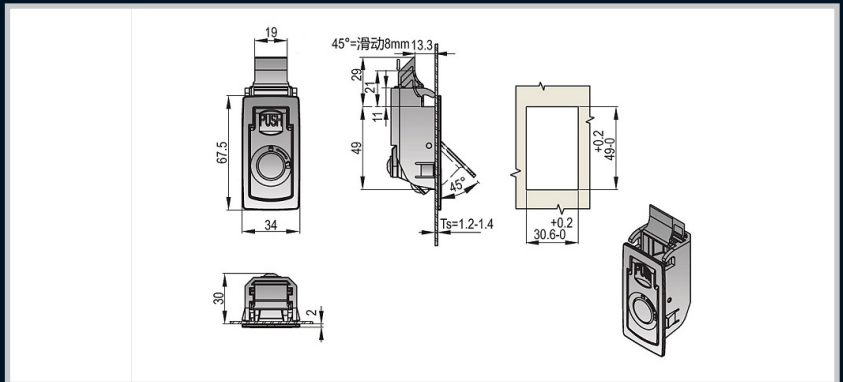
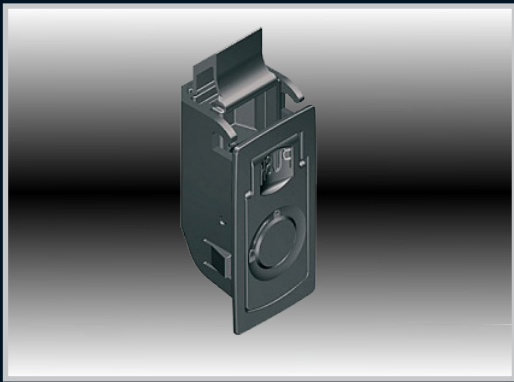
Transformer
Equipment

Index

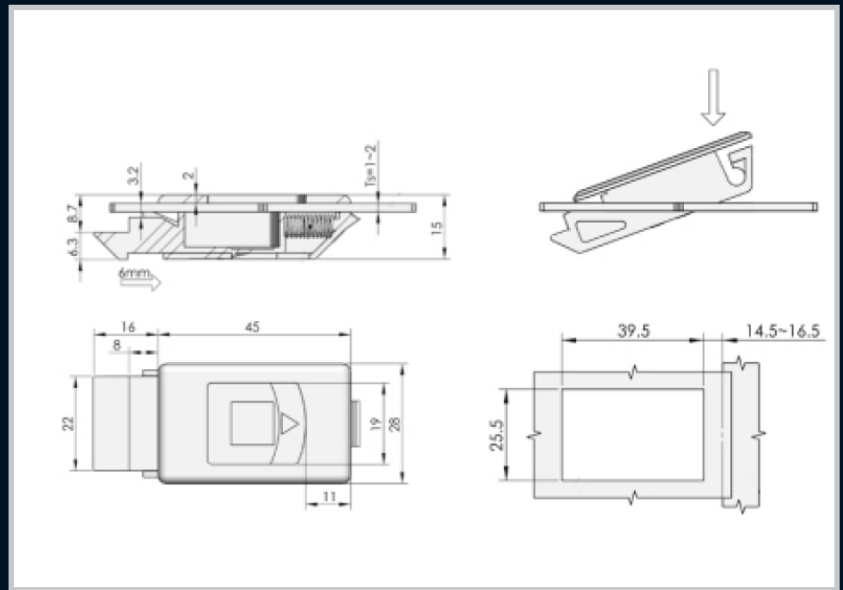
Enclosures
Hinges
Locks
Handles
Accessories
Rotary Operating Handles
Insulators
Transformer Equipment
Index



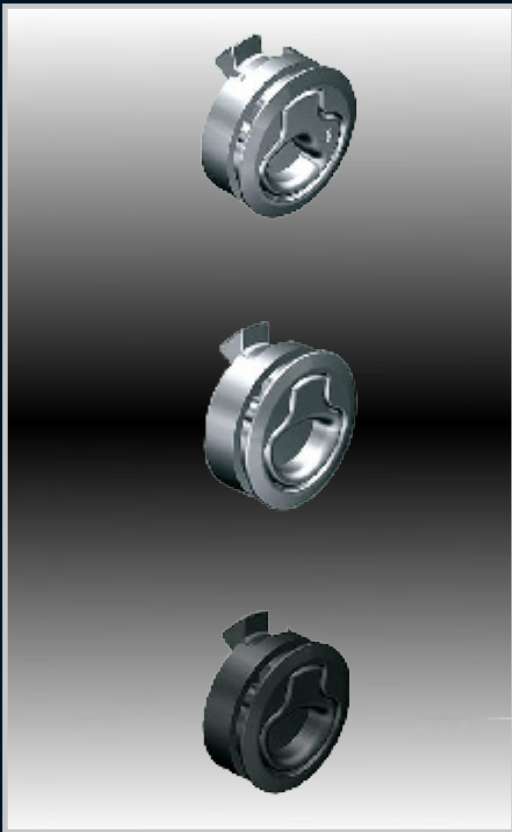
Part Number	Description
49.10.K	Key locking , Black PA



Part Number	Description
49.00.0	Non locking, Black PA

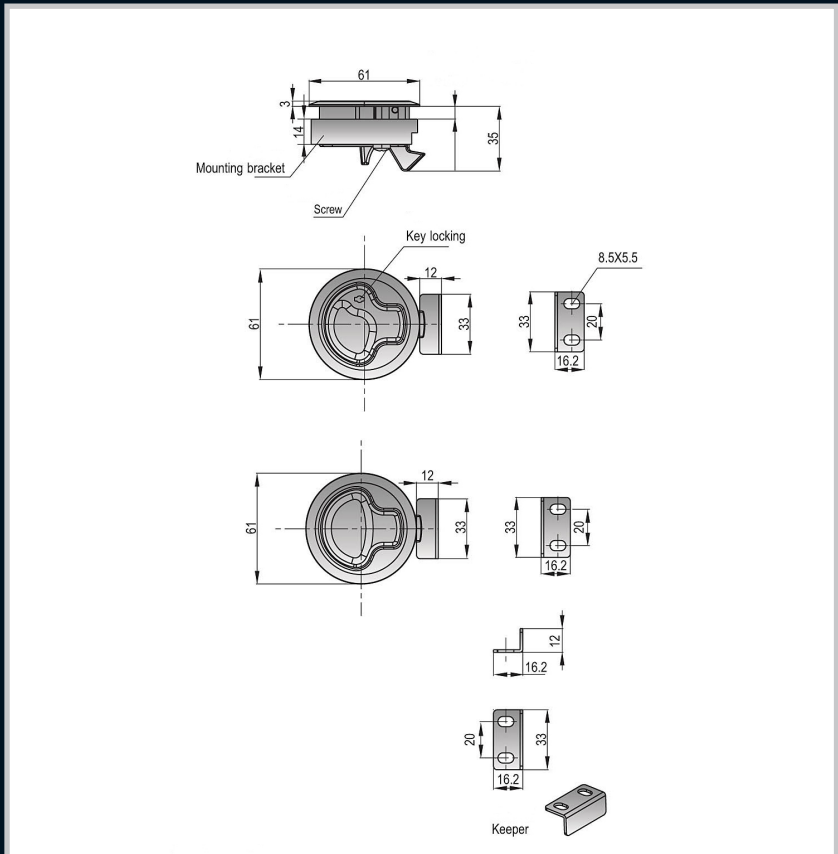


Part Number	Description	Material and Finish
39.1.3B	Push to close snap-in lock	PA Black



Remarks:

Available in Stainless steel, PA black and grey. For the non locking items, remove the "K" in the product numbers.



Part Number	Description	Panel Thickness
		min - max (mm)
61.10.2.SS/K	Key locking, Stainless steel	2-7
61.10.2.PAB/K	Key locking, PA Black	2-7
61.10.2.PAG/K	Key locking, PA Grey	2-7
61.10.7.SS/K	Key locking, Stainless steel	7-12
61.10.7.PAB/K	Key locking, PA Black	7-12
61.10.7.PAG/K	Key locking, PA Grey	7-12
61.10.12.SS/K	Key locking, Stainless steel	12-17
61.10.12.PAB/K	Key locking, PA Black	12-17
61.10.12.PAG/K	Key locking, PA Grey	12-17
61.10.17.SS/K	Key locking, Stainless steel	17-22
61.10.17.PAB/K	Key locking, PA Black	17-22
61.10.17.PAG/K	Key locking, PA Grey	17-22

Enclosures

Hinges

Locks

Handles

Accessories

Rotary Operating Handles

Insulators

Transformer Equipment

Index

Enclosures

Hinges

Locks

Handles

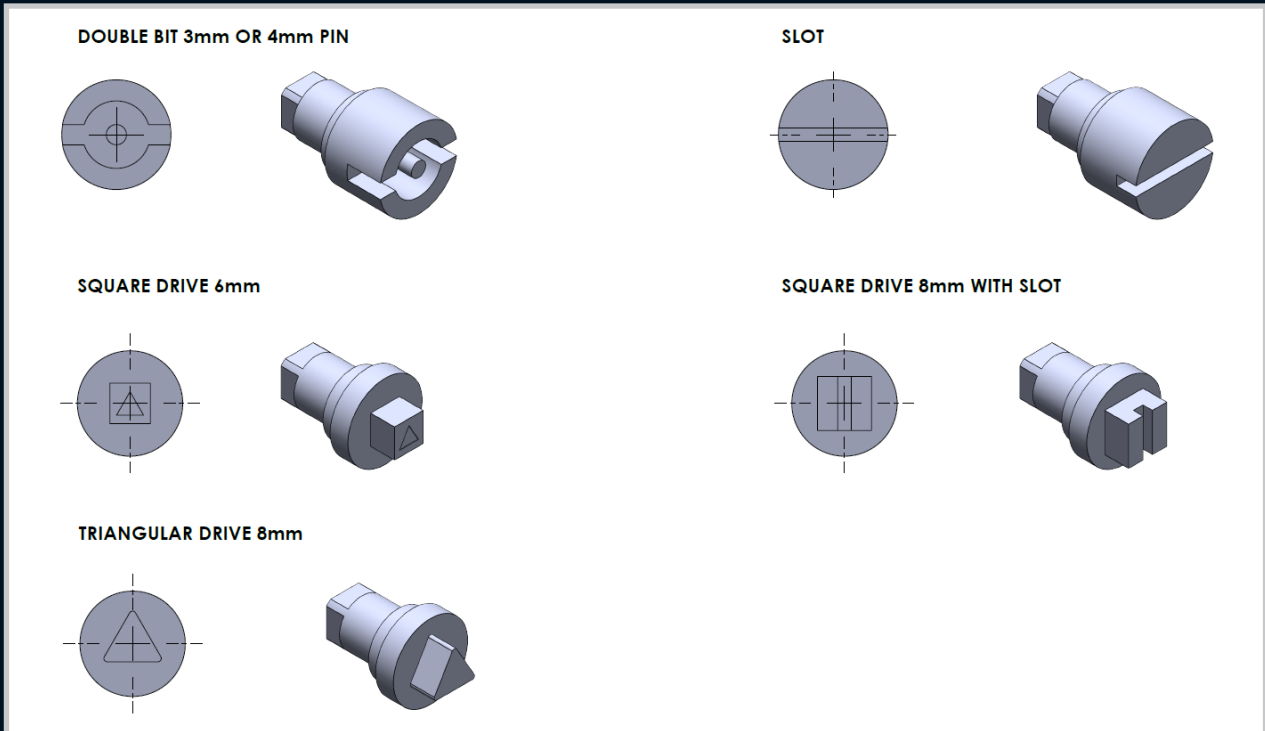
Accessories

Rotary Operating Handles

Insulators

Transformer Equipment

Index



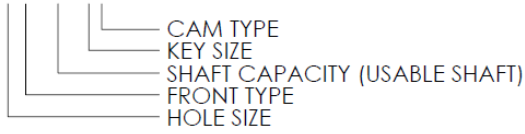
Remarks:

Drives are available in ZDC, PA or stainless steel.

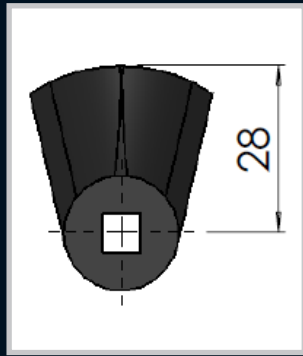
LOCKS CODING SYSTEM

CODE NUMBER

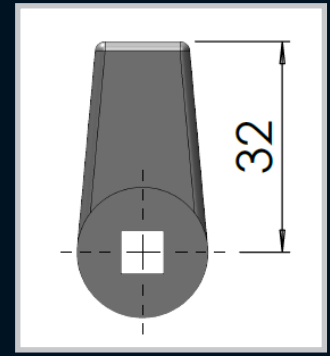
16.1.431.01



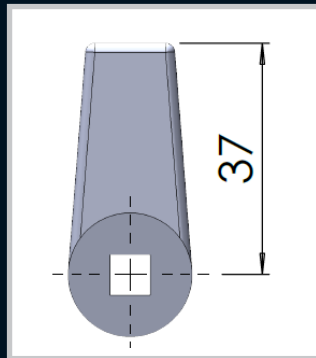
Cams to fit 16 series locks



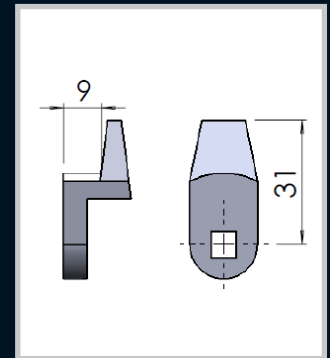
Part Number	Material and Finish	Description
CAM01N	Nylon black	Cam to suit series 16



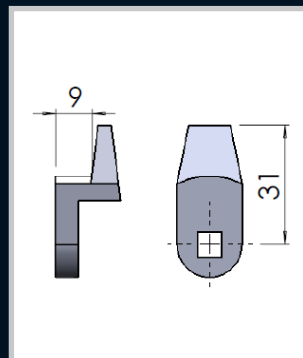
Part Number	Material and Finish	Description
CAM02N	Nylon black	Tapered cam to suit series 16



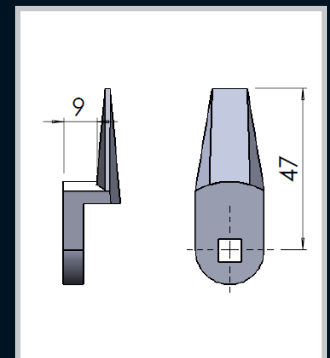
Part Number	Material and Finish	Description
CAM03Z	ZDC Galvanised	Tapered cam to suit series 16



Part Number	Material and Finish	Description
CAM04N	Nylon black	Cam with a 9mm step to suit series 16



Part Number	Material and Finish	Description
CAM04Z	ZDC matt silver	Cam with a 9mm step cam to suit series 16



Part Number	Material and Finish	Description
CAM05N	Nylon black	Cam with a 9mm step to suit series 16

Enclosures

Hinges

Locks

Handles

Accessories

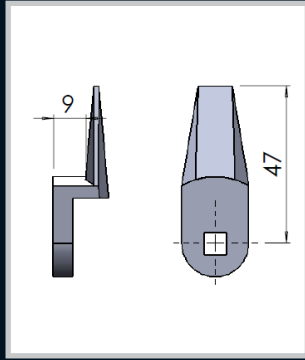
Rotary Operating
Handles

Insulators

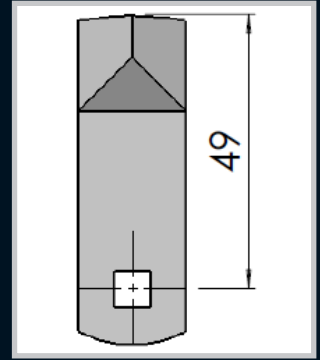
Transformer
Equipment

Index

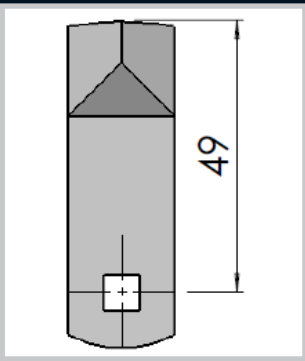
Enclosures
Hinges
Locks
Handles
Accessories
Rotary Operating Handles
Insulators
Transformer Equipment
Index



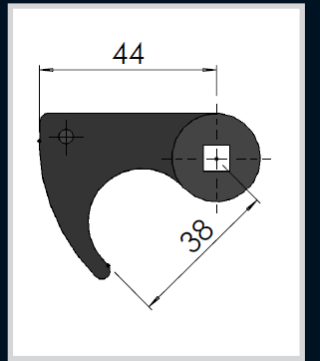
Part Number	Material and Finish	Description
CAM05Z	ZDC Galvanized	Cam with a 9mm step to suit series 16



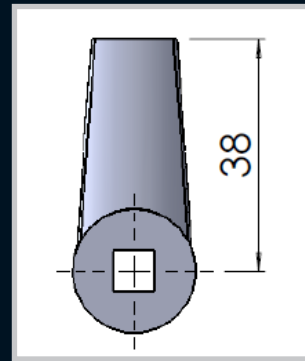
Part Number	Material and Finish	Description
CAM06M/S	Mild steel natural finish	Cam to suit handle 1011108



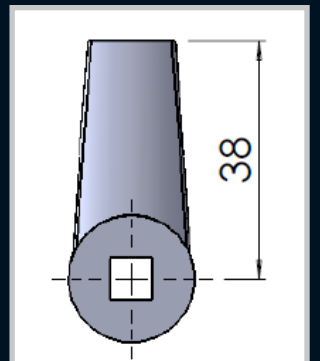
Part Number	Material and Finish	Description
CAM06S/S	Stainless steel natural finish	Cam to suit handle 1011108



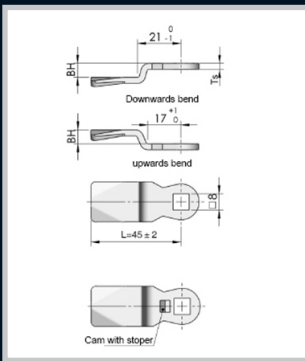
Part Number	Material and Finish	Description
CAM07N	Nylon black	Hooked cam to suit 16 series



Part Number	Material and Finish	Description
CAM09N	Nylon black	Cam to suit 16 series



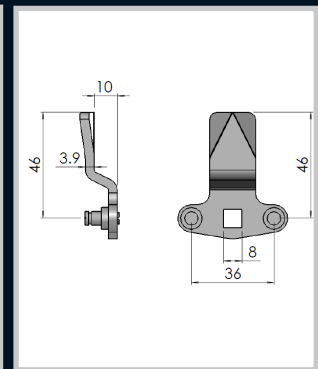
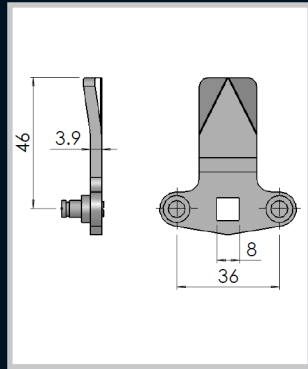
Part Number	Material and Finish	Description
CAM09Z	ZDC Galvanized	cam to suit 16 series



Part Number	Material and Finish	Description
CAM08/4	Mild steel	4mm bend
CAM08/12	Mild steel	12mm bend

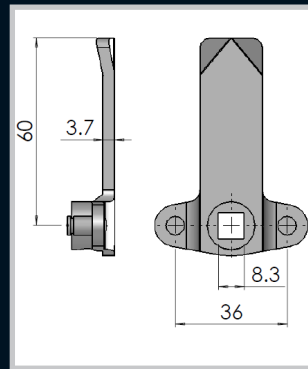
Remarks:
All other BH dimensions available on request.

3 Point locking cams
(For use with locking rods on page 170 - 171)

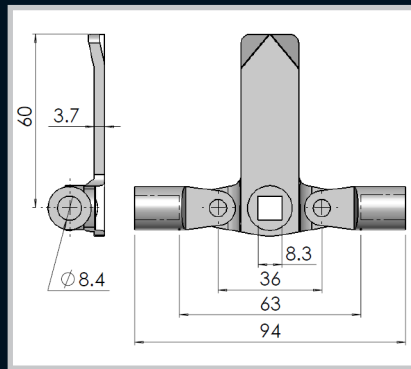


Part Number	Material and Finish	Description
CAM08M/S8PSTR	Mild steel natural finish	3 point cam
CAM08S/S8PSTR	Stainless steel natural finish	3 point cam

Part Number	Material and Finish	Description
CAM08M/S8STEP	Mild steel natural finish	3 point cam
CAM08S/S8STEP	Stainless steel natural finish	3 point cam
CAM08/4.3	Mild steel with a 4mm bend	3 point cam
CAM08/12.3	Mild steel with a 12mm bend	3 point cam



Part number	Material and Finish	Description
CAM08M/SPINS	Mild steel natural finish	3 point cam



Part Number	Material and Finish	Description
CAM08M/S8COMP	Mild steel natural finish	3 point cam with Rod adaptors
CAM08S/S8COMP	Full stainless steel natural finish	3 point cam with Rod adaptors

Enclosures

Hinges

Locks

Handles

Accessories

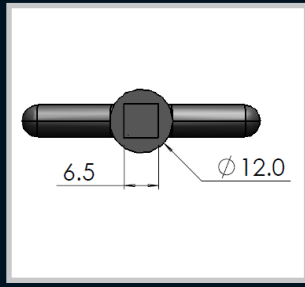
Rotary Operating Handles

Insulators

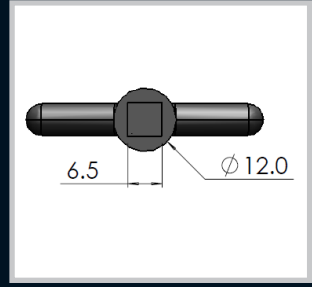
Transformer Equipment

Index

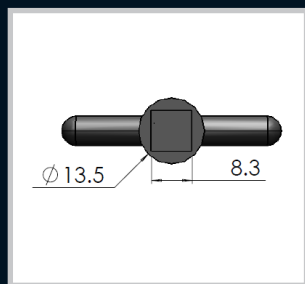
Enclosures
Hinges
Locks
Handles
Accessories
Rotary Operating Handles
Insulators
Transformer Equipment
Index



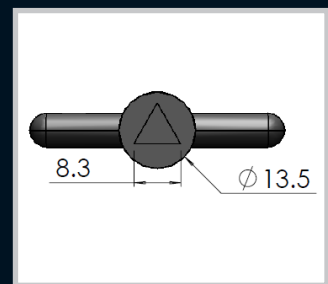
Part Number	Material and Finish	Description
6.1.12.1	ZDC Galvanized	T shaped key 57mm long to unlock all quarter turn series with a 6mm square drive



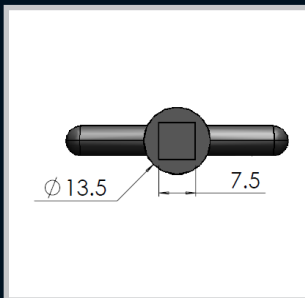
Part Number	Material and Finish	Description
6.1.12.2	Poly carbonate	T shaped key 57mm long to unlock all quarter turn series with a 6mm square drive



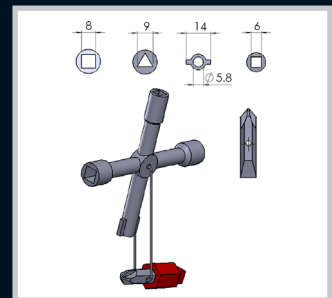
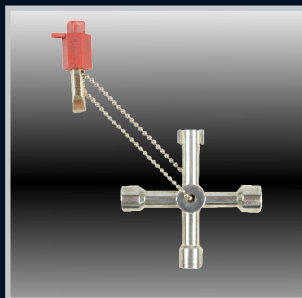
Part Number	Material and Finish	Description
8.2.135.1	ZDC Galvanized	T shaped key 57mm long to unlock all quarter turn series with a 8mm square drive



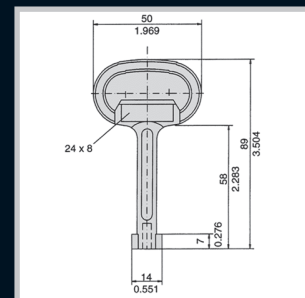
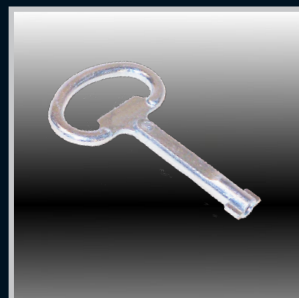
Part Number	Material and Finish	Description
8.3.135.1	ZDC Galvanized	T shaped key 57mm long to unlock all quarter turn series with a 8mm Triangular drive



Part Number	Material and Finish	Description
7.2.135.1	ZDC Galvanized	T shaped key 57mm long to unlock all quarter turn series with a 7mm square drive



Part Number	Description
6WAY5.135.1	ZDC 8mm & 6mm square, 8mm tri, double bit and screwdriver adaption



Part Number	Material and Finish	Description
4.1.135.1	ZDC Galvanized	Double bit key